



# Williamson

**90%  
AFUE**

## **GAS FURNACES**

### **UP-FLOW APPLICATIONS**

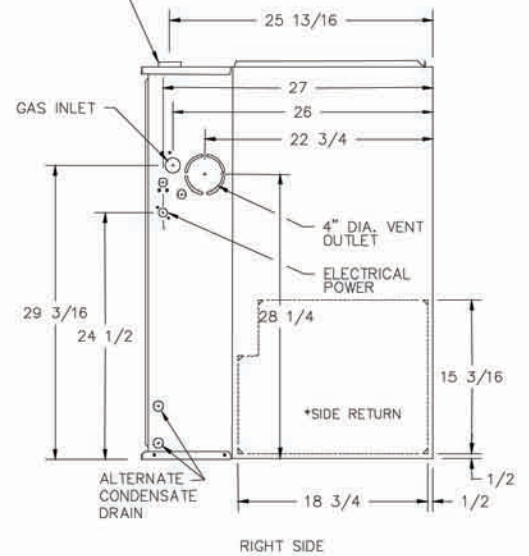
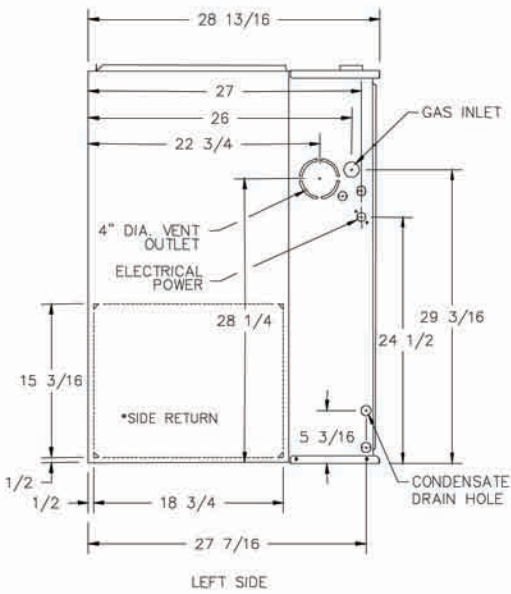
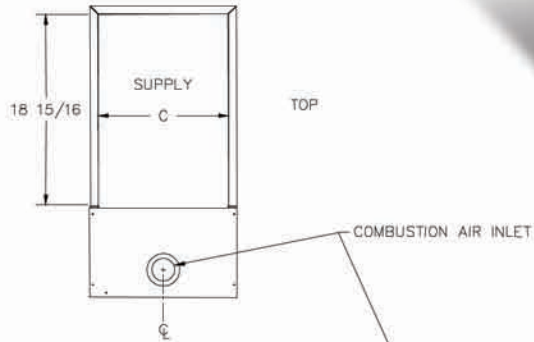
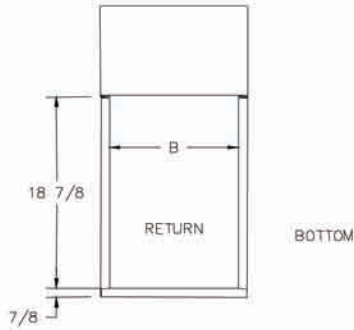
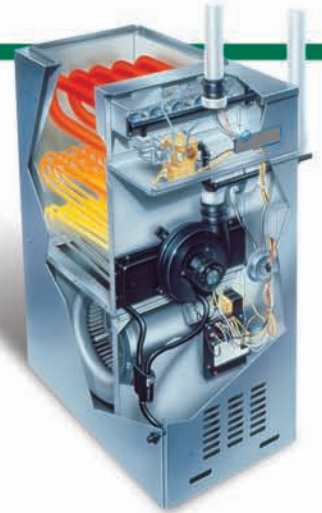
Standard Features:

- 90%+ AFUE Efficiency With Weldless Tubular Heat Exchanger
- Self Diagnosing Control System
- Patented High Temperature Limit System
- Easy Service Access With No Door Switches
- Power Terminals Provided For Humidifier And Electronic Air Cleaner
- 20 - Year Limited Heat Exchanger Warranty
- 5 - Year Limited Parts Warranty



# GAS FURNACES

ALL DIMENSIONS IN INCHES



## Up-Flow Models 90.9% AFUE

## Plenum Openings

Model	BTUH (input)	BTUH (output)	Max Cooling Tons	Blower (Direct Drive)		Shipping Weight (lbs)	Cabinet Width (A)	Supply (C)		Return (B)		High Speed CFM @ 0.5 Inches W.C.	Vent Size Inches*	
				Motor (HP)	Size			Width	Depth	Width	Depth		Intake	Exhaust
WTVSA054NH3R	54,000	49,300	3	1/3	10-6	122	17 1/2"	15 15/16"	18 15/16"	15 3/4"	18 7/8"	1,140	2	2
WTVSA072NH3R	72,000	65,700	3	1/2	10-8	131	17 1/2"	15 15/16"	18 15/16"	15 3/4"	18 7/8"	1,299	2 or 3	2 or 3
WTVSA072NH4R	72,000	65,700	4	3/4	Dual 10-4	141	20 1/2"	18 15/16"	18 15/16"	18 3/4"	18 7/8"	1,507	2 or 3	2 or 3
WTVSA090NH3R	90,000	82,100	3	1/2	10-8	145	17 1/2"	15 15/16"	18 15/16"	15 3/4"	18 7/8"	1,316	2 or 3	2 or 3
WTVSA090NH4R	90,000	82,100	4	3/4	Dual 10-4	150	20 1/2"	18 15/16"	18 15/16"	18 3/4"	18 7/8"	1,683	2 or 3	2 or 3
WTVSA108NH5R	108,000	98,600	5	3/4	Dual 10-6	174	23 1/2"	21 15/16"	18 15/16"	21 3/4"	18 7/8"	1,807	3	3
WTVSA126NH5R	126,000	115,000	5	3/4	Dual 10-6	193	23 1/2"	21 15/16"	18 15/16"	21 3/4"	18 7/8"	1,827	3	3