

# Riello Burner Installation Instructions for Williamson Thermoflo Oil Boilers

**WARNING** Failure to follow the information below can result in severe personal injury, death or substantial property damage:

- Instructions are for use only by qualified installer/service technician.
- Read all boiler and burner instructions before proceeding.
- Follow instructions in proper order. Turn off service switch to boiler and any other electrical disconnect switches.

## General installation instructions:

1. Connect Harness to boiler wiring using plug-to-plug connector.
2. Pull any excess harness away from boiler junction box and tighten clamp to hold harness in place.

**CAUTION** Route harness away from burner door to avoid excess heat

3. For OSB applications, installer must utilize an SPST switching relay as a means to activate the burner with a low voltage thermostat.
4. Set up burner according to instructions in Riello burner manual. Also see below recommended settings.

Burner Model	Boiler Size	Primary Nozzle	Pump Pressure (PSIG)	Turbulator Setting	Air Shutter Setting
F5	OWB/OWT/OSB-3 @ 0.95 GPH	DELAVAN 0.75 x 60° B	160	0.5	3.1
F5	OWB/OWT-4 @ 1.00 GPH	DELAVAN 0.85 x 60° B	140	1.0	2.3
F5	OWB/OWT/OSB-4 @ 1.20 GPH	DELAVAN 1.00 X 60° B	145	3.0	4.5
F5	OWB/OWT-5 @ 1.20 GPH	DELAVAN 1.00 X 60° B	145	3.0	4.5
F5	OWB/OWT/OSB-5 @ 1.45 GPH	DELAVAN 1.25 X 60° B	140	4.0	7.5

## **GB** Single stage operation oil burners

## **F** Brûleurs à huile à une allure



WARNING

### **RETROFIT APPLICATIONS ONLY**

*If this burner is being installed in a packaged unit (ie. burner comes with a boiler or furnace), follow the installation and set-up instructions supplied with the heating unit, as settings may differ from those shown in this manual.*

- *The following pages contain information, descriptions and diagrams for the proper installation and wiring of the burner. Please read carefully before attempting final installation.*
- *This manual is to remain with the final installation designation. It is the installer's responsibility to ensure that the burner installation and operation instructions mentioned in this manual are followed and operated within local code authority limits.*



ATTENTION

### **POUR APPLICATIONS DE MISE À NIVEAU UNIQUEMENT**

*Si ce brûleur doit être installé avec un autre appareil avec lequel il est livré (comme une chaudière ou un four), il faudra suivre la notice livrée avec l'unité chauffante dans la mesure où les instructions peuvent différer de celles reportées dans ce manuel.*

- *Les pages qui suivent contiennent toutes les informations, descriptions et schémas permettant une installation et un branchement approprié du brûleur. Veuillez lire attentivement ce manuel avant de procéder à l'installation de l'appareil.*
- *Ce manuel doit être conservé par l'utilisateur de l'appareil. L'installateur doit veiller à ce que les instructions pour l'installation et le fonctionnement du brûleur reportées dans ce manuel soient respectées et appliquées selon la loi du pays d'installation de l'appareil.*



# RIELLO 40

CODE	MODEL - MODÈLE
3726122	F3 WITH ELECTRONIC AIR SHUTTER F3 AVEC OBTURATEUR D'AIR ÉLECTRONIQUE
3726222	F5 WITH ELECTRONIC AIR SHUTTER F5 AVEC OBTURATEUR D'AIR ÉLECTRONIQUE





## INSTALLATION PRECAUTIONS

### AIR FOR COMBUSTION

Do not install burner in room with insufficient air for combustion. Be sure there is an adequate air supply for combustion if the boiler/furnace room is enclosed. It may be necessary to create a window to permit sufficient air to enter the boiler/furnace room. The installer must follow local ordinances in this regard.

**CANADA** It is suggested that the installer follow CSA standard B139.

**USA** It is suggested that the installer follow NFPA manual #31.

### CHIMNEY

Be sure chimney is sufficient to handle the exhaust gases. It is recommended that only the burner be connected to the chimney. Be sure that it is clean and clear of obstructions.

### OIL FILTER

An external oil filter is **REQUIRED**, even though there is an internal strainer in the pump. The filter should be replaced at least once a year, and the filter container should be thoroughly cleaned prior to installing a new filter cartridge.

### DRAFT

Follow the instructions furnished with the heating appliance. The pressure in the combustion area should be kept as close to zero as possible. The burner will operate with a slight draft or pressure in the chamber.

### ELECTRICAL CONNECTIONS

**CANADA** All electrical connections should be done in accordance with the C.E.C. Part 1, and all local codes. The system should be grounded.

**USA** All electrical connections should be done in accordance with the National Electrical Code, and all local ordinances. The system should be grounded.

### CONTROL BURNER OPERATION

Check out the burner and explain its operation to the homeowner. Be sure to leave the Owner's Instruction sheet with the homeowner.

### FIRE EXTINGUISHER

If required by local codes, install an approved fire extinguisher.

### ELECTRICAL CONNECTIONS

In most localities, a number 14 wire should be used inside a metal conduit. The system should be grounded. A service switch should be placed close to the burner on a fireproof wall in an easily accessible location.



WARNING

The burner settings used in this manual were obtained under laboratory conditions and may vary from those obtained in the actual installation of the burner. Combustion results must be verified using proper combustion test equipment. Riello will not be responsible for the improper installation or set-up of the appliance.

---

## TABLE OF CONTENTS

PACKAGE CONTENTS LIST . . . . .	1
SERIAL NUMBER IDENTIFICATION . . . . .	1
TECHNICAL DATA . . . . .	2
Specifications . . . . .	2
Burner Dimensions . . . . .	2
Burner Components identification . . . . .	2
Burner Components . . . . .	2
INITIAL SET-UP . . . . .	3
ASSEMBLY OF AIR TUBE TO BURNER CHASSIS . . . . .	3
MOUNTING BURNER TO BOILER OR FURNACE . . . . .	3
Method 1-Universal Mounting Flange . . . . .	3
Method 2-Semi-flange Collar . . . . .	4
Method 3-Pedestal Mount . . . . .	4
AMULET INSTALLATION INSTRUCTIONS . . . . .	5
INTERNAL FACTORY WIRING . . . . .	6
APPLICATION FIELD WIRING . . . . .	7
NOZZLE PLACEMENT . . . . .	8
INSERTION / REMOVAL OF DRAWER ASSEMBLY . . . . .	8
ELECTRODE SETTING . . . . .	9
TURBULATOR SETTING . . . . .	9
OIL LINE CONNECTIONS . . . . .	10
Single line (Gravity feed system) . . . . .	10
Two line (Lift system) . . . . .	10
PUMP PURGE . . . . .	11
Single line (Gravity feed system) . . . . .	11
Two line (Lift system) . . . . .	11
SETTING THE AIR ADJUSTMENT PLATE . . . . .	12
BURNER ADJUSTMENT TABLE . . . . .	13
BURNER START-UP CYCLE . . . . .	13
EXPLODED SPARE PARTS LIST . . . . .	14
SPARE PARTS LIST . . . . .	15
BURNER START-UP REPORT . . . . .	17

## PACKAGE CONTENTS LIST

Your Riello 40 burner should include the following parts. Please check to make sure all parts are present before beginning the installation.

Quantity	Description
1	Burner chassis with cover
1	Universal mounting flange + mounting gasket
1	Parts bag
1	Parts bag
1	Installation manual
	<b>Separate carton</b> - OEM burners shipped with combustion head mounted
1	Combustion Head

Parts bag	
Quantity	Description
1	By-pass plug
1	Female 1/4" NPT adapter
1	Male 3/8" NPT adapter
1	2.5 mm Allen key
1	Oil pump connector (supply)
1	Oil pump connector (return)

Parts bag	
Quantity	Description
2	Semi-flange bolts (long)
2	Semi-flanges
2	Mounting flange bolts (short)
4	Nuts
2	Chrome nuts
2	Cover screws

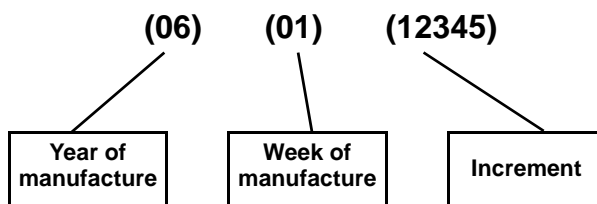
## SERIAL NUMBER IDENTIFICATION

Your Riello burner may have been manufactured in more than one location and therefore there are two possible serial number identification.

The Riello 9 character serial number, example,

**06 01 12345**, is identified as follows:

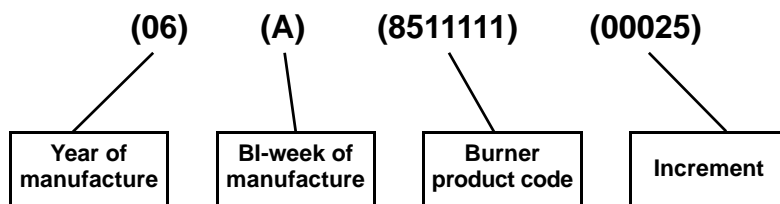
- 06** = Last two digits of the year of manufacture;
- 01** = Week of manufacture;
- 12345** = Increment of 1 for each burner produced – specific to product code – reset to zero each January 1<sup>st</sup>.



The Riello 15 character serial number, example,

**06 A 8511111 00025**, is identified as follows:

- 06** = Last two digits of the year of manufacture;
- A** = BI-week of manufacture;
- 8511111** = Burner product code;
- 00025** = Increment of 1 for each burner produced – specific to product code – reset to zero each January 1<sup>st</sup>.

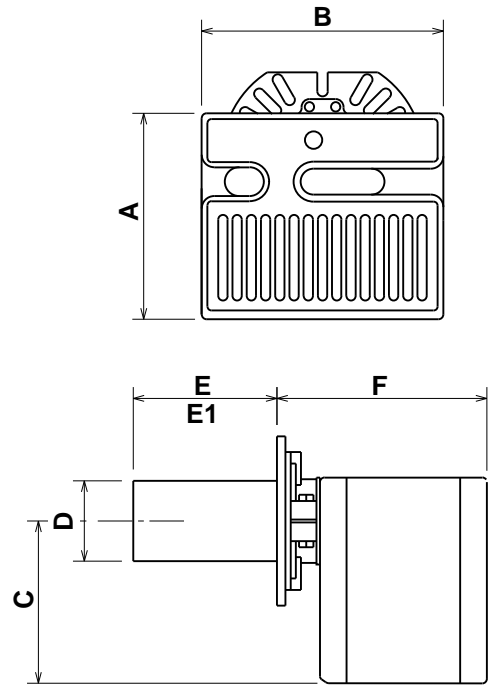


**TECHNICAL DATA SPECIFICATIONS**

Fuel	No heavier than # 2 fuel oil
F3 Firing rate - Effective Output	0.50 to 0.95 US GPH - 70,000 to 133,000 BTU/h
F5 Firing rate - Effective Output	0.75 to 1.65 US GPH - 105,000 to 231,000 BTU/h
Voltage (single phase)	120V 60Hz (+ 10% - 15%)
F3 Absorbed electrical power	155 Watts
F5 Absorbed electrical power	175 Watts
Motor (rated)	3250 rpm Run Current 2.2 AMP
Capacitor	12.5 Microfarads
Pump pressure	130 to 200 psig
Primary control	RIELLO 530 SE/C
Ignition transformer	8kV 16mA

**BURNER DIMENSIONS**

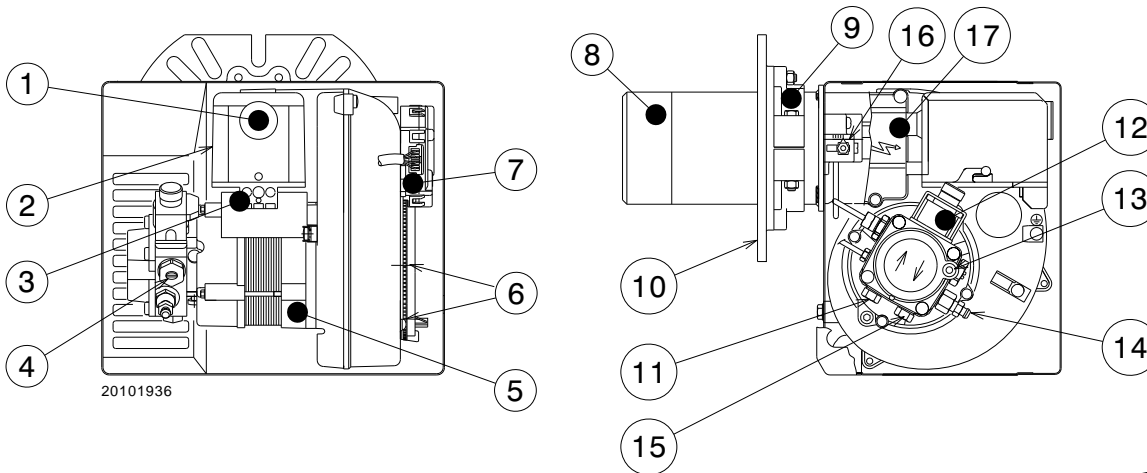
Model		A	B	C	D	E	F
F3	Inches	8 15/32	9 59/64	6 15/32	3 1/2	6	8 29/32
	mm	215	252	164	89	152	226
F5	Inches	9 11/64	10 11/16	7 3/32	3 1/2	6	9 13/32
	mm	233	272	180	89	152	239



E1: 10-inch long (254mm) tubes are also available.

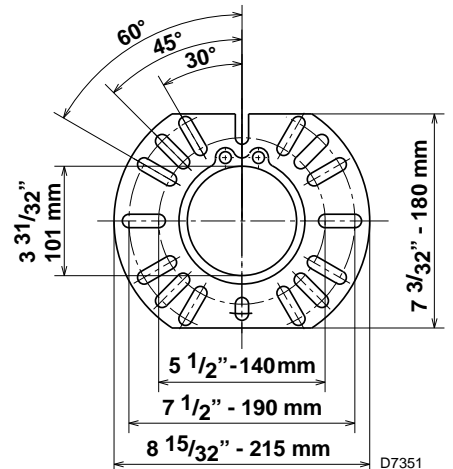
D7352

**BURNER COMPONENTS IDENTIFICATION**



**BURNER COMPONENTS**

- |   |                                    |
|---|------------------------------------|
| 1 Lockout indicator lamp and reset button | 9 Semi flange 2 pieces             |
| 2 Primary control                         | 10 Mounting flange with gasket     |
| 3 Primary control sub-base                | 11 Supply fuel line port           |
| 4 Pump pressure regulator                 | 12 Pump valve (coil)               |
| 5 Motor                                   | 13 Vacuum gauge port               |
| 6 Air adjustment and shutter              | 14 Pressure gauge and bleeder port |
| 7 Electronic air shutter assembly         | 15 Return fuel line port           |
| 8 Combustion head                         | 16 Turbolator adjustment screw     |
|   | 17 Air tube cover                  |



D7351

**INITIAL SET-UP**

- A) Remove burner and air tube from cartons. Check parts list (inside cover) to ensure all parts are present.
- B) Remove burner cover by loosening the three screws securing it. Remove control box and air tube cover.
- C) Remove drawer assembly from air tube, insert nozzle and set Turbulator adjustment for specific input required, then set aside.
- D) Mount air tube to burner chassis.

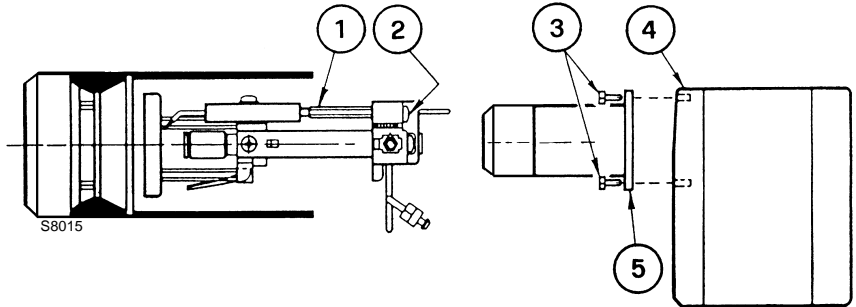
**ASSEMBLY OF AIR TUBE TO BURNER CHASSIS**

The air tube and drawer assembly are shipped in a carton separate from the burner chassis. Choose the proper air tube length to obtain the tube insertion for the specific installation.

- A) Remove the AIR TUBE and BURNER CHASSIS from their respective cartons.
- B) Remove the DRAWER ASSEMBLY (1) from inside the AIR TUBE by loosening the screw (2).

Carefully pull the DRAWER ASSEMBLY out of the AIR TUBE, install the required nozzle (see page 8) and set aside.

- C) Remove the two BOLTS (3) from FRONT PLATE (4) of the BURNER CHASSIS. Align the two holes on the AIR TUBE HOLDING PATE (5) with the two holes on the BURNER CHASSIS FRONT PLATE with the BOLTS (3) removed. Replace the BOLTS and fingers tighten only. Re-install DRAWER ASSEMBLY into AIR TUBE. Tighten SCREW (2) securely.
- D) Tighten the two bolts (3) securely.

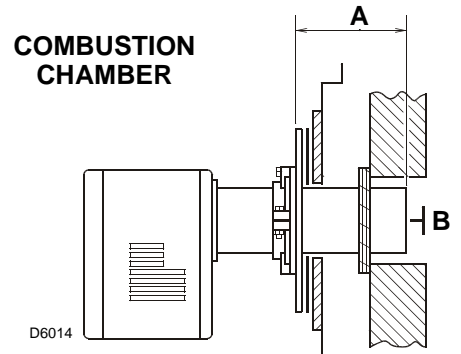
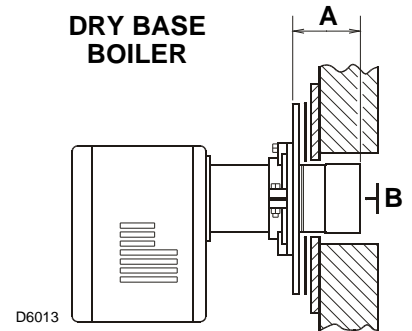
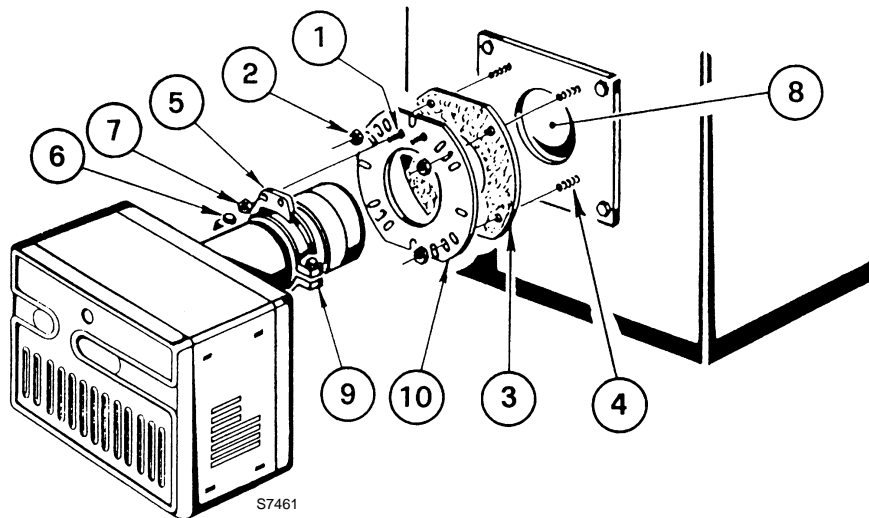


**MOUNTING THE BURNER TO THE BOILER OR FURNACE**

There are three possible methods to mount the burner, depending on the individual application. These are:

- 1) Universal flange bolted to Boiler/Furnace unit.
- 2) Semi-flange collar bolted to Boiler/Furnace unit.
- 3) Universal flange mounted to optional Pedestal mount, where flange mounting direct to appliance is not possible. Pedestal kit must be ordered separately.

**METHOD 1 – UNIVERSAL MOUNTING FLANGE**





- A) Insert the two BOLTS (1) into the UNIVERSAL MOUNTING FLANGE (10) from the flat side, ensuring the bolt heads are flush with the flat surface. Secure in place using two special CHROME NUTS (2) provided.
- B) Position the MOUNTING GASKET (3) between the flat surface of the UNIVERSAL MOUNTING FLANGE (10) and the appliance.  
Line up the holes in the UNIVERSAL MOUNTING FLANGE with the STUDS (4) on the appliance mounting plate and securely bolt the UNIVERSAL MOUNTING FLANGE to the plate.
- C) Secure the two semi-flanges of the ADJUSTABLE COLLAR (9) to the AIR TUBE using the two long BOLTS (6).  
Be sure that the ADJUSTABLE COLLAR (9) is properly positioned so the outside edge of the END CONE will be at least 1/4" inch (6.5 mm) back from the inside wall of the refractory of the combustion chamber (see dimension B above). The measured length (A) is to include MOUNTING GASKET and FLANGE, if used.
- D) The burner may now be attached to the heating unit by insetting the AIR TUBE through the BURNER ACCESS HOLE (8) and into the appliance, making sure the BOLTS (1) line up with the two HOLES (5) in the ADJUSTABLE COLLAR (9). Secure the burner in place using two NUTS (7).

A visual verification of the air tube insertion into the combustion chamber of the heating unit is suggested. Dimension B should be at least 1/4" (see drawing).

**NOTE:**

A suggested method for creating mounting bolt holes in the mounting gasket: Hold the gasket against the appliance mounting bolts using the mounting flange for proper positioning. Lightly tap the flange with a hammer to form the holes.

**METHOD 2 – SEMI-FLANGE COLLAR**

- A) Follow item C from METHOD 1.
- B) Align the air tube and attached adjustable collar so air tube is centered in the burner access hole of the boiler/furnace unit. Mark the center of the two holes in the ADJUSTABLE COLLAR on to the front plate of the heating unit. Then drill 1/4 inch (6.5 mm) holes through the front plate of the unit, using marks as a guide.
- C) Install two short BOLTS (1) through the front plate of the heating unit from the inside, and secure on the outside using the two special CHROME NUTS (2).
- D) Follow item D from METHOD 1.

**METHOD 3 – PEDESTAL MOUNT**

Secure the MOUNTING FLANGE to MOUNTING PEDESTAL using the hardware provided with the pedestal. Secure burner to MOUNTING FLANGE as in METHOD 1, item A, C and D.

**NOTE:**

It is suggested that the pedestal be anchored in position on the floor by installing brackets over the pedestal tube and securing brackets to the floor.



**WHEN THE COMBUSTION CHAMBER IS LINED WITH A REFRACTORY MATERIAL, IT IS IMPERATIVE THAT THE END CONE NOT PROTRUDE INTO THE CHAMBER AREA, AS EXCESSIVE HEAT AT BURNER SHUT DOWN WILL DAMAGE THE END CONE.**

## AMULET INSTALLATION INSTRUCTIONS

### (Required on some models)

The amulets provided have been selected by Riello to protect the combustion tube from hot exhaust gases and flame. This protection may be needed in applications where the combustion tube opening in the combustion chamber refractory is larger than the tube outside diameter.

The amulet has been sized to fit Riello Model 40 sizes F3 and F5 plus the Riello Model R35.

When installing this amulet, handle it carefully.

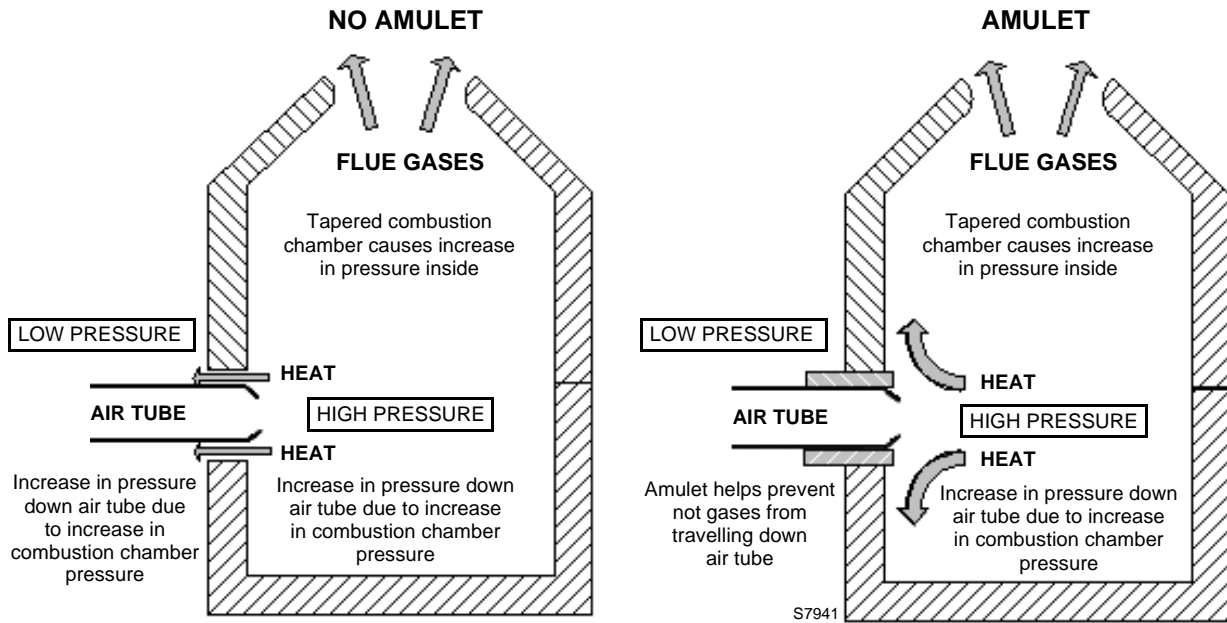
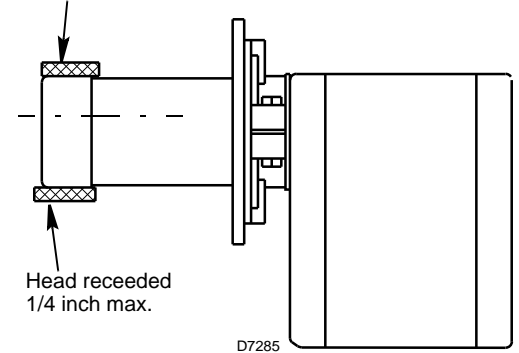
Do not exert undue pressure when pushing the amulet over the combustion tube.

Excessive force can result in a broken amulet!

If the amulet will not fit easily onto the tube, remove a small amount of the inner diameter with a sharp knife to provide the necessary clearance.

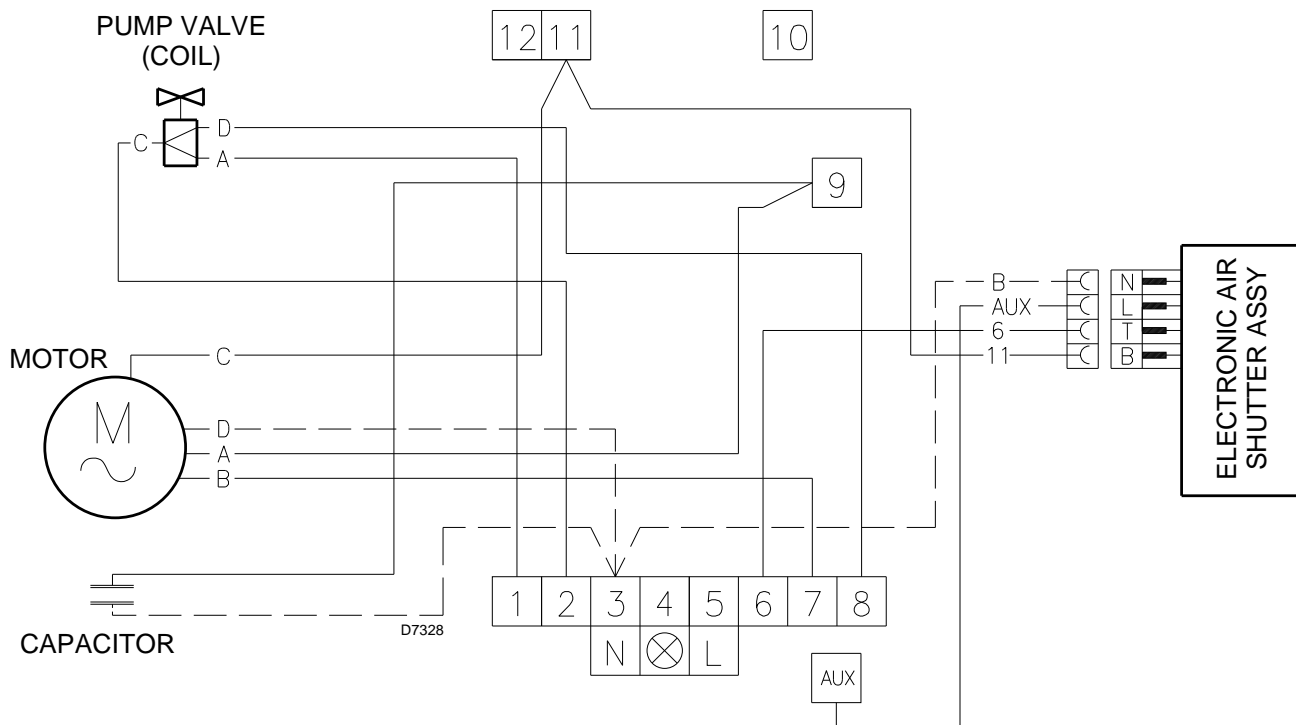
The diagram below shows the proper position of the amulet after installation.

Amulet shown in the flush mounted position



INTERNAL FACTORY WIRING

**RIELLO 40 F3 - F5 SERIES OIL BURNERS EQUIPPED WITH AN ELECTRONIC AIR SHUTTER INTERNAL FACTORY WIRING**



**Key to lay-out:**

- |                  |  |
|------------------|--|
| <b>A</b> - Brown | <b>6</b> - 120V source activates shutter open                          |
| <b>B</b> - White | <b>11</b> - motor lead 120V source                                     |
| <b>C</b> - Blue  | ⊗ - 120V control lock out alarm terminal                               |
| <b>D</b> - Black | <b>AUX</b> - constant 120V auxiliary terminal - electronic air shutter |

**ATTENTION !!**

- Do not swap neutral and phase over, follow the diagram shown carefully and carry out a good earth connection.
- Minimum wire size AWG 18.
- All wiring must be done in accordance with existing codes, both national and local.

## APPLICATION FIELD WIRING



**WIRING DIAGRAM SHOWN FOR STANDARD  
RIELLO 530 SE/C PRIMARY CONTROL BOX.**

**INSTALLATION NOTE:**

ELECTRONIC AIR SHUTTER REQUIRES A CONSTANT 120V POWER SUPPLY TO THE AUX TERMINAL, FAILURE TO PROVIDE THIS WILL RESULT IN NO BURNER OPERATION OR AIR SHUTTER WILL NOT CLOSE.

**PLEASE NOTE: OPERATING LIMIT AND SAFETY LIMIT  
ARE TWO SEPARATE LIMITS.**

**Key to lay-out:**

- 1 - Main disconnect fuse
  - 2 - Manual service switch
  - 3 - Safety limit device
  - 4 - Operating limit device
  - 5 - Earth ground connection burner chassis
  - 6 - Burner control remote lock out alarm device - wired & supplied by others
- AUX** - Auxiliary bub base add-on connector (air shutter)

**MIN. WIRE SIZE:**

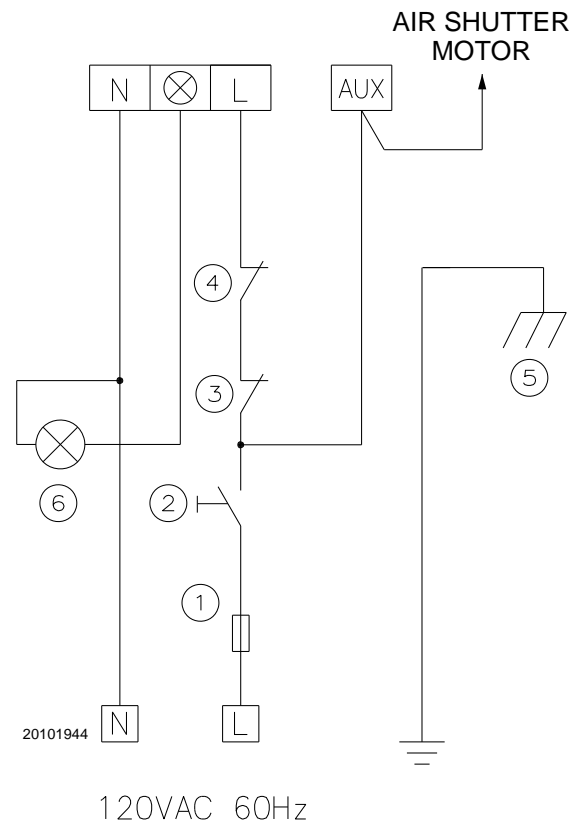
INSULATED 18 AWG SOLID OR 16 STRD.

ED 105° C

PROPER EARTH GROUNDING MEANS REQUIRED



ALL WIRING SHOWN PROVIDED BY OTHER.



120VAC 60Hz

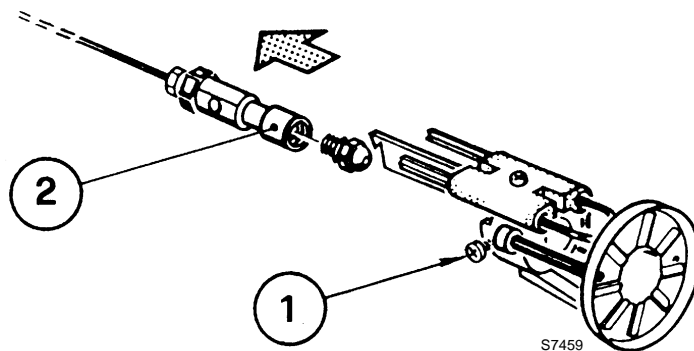
**WARNING:**

**DO NOT activate burner until proper oil line connections have been made, or failure of the pump shaft seal may occur.**

**DO NOT activate burner until all safety and operating controls have been wired in series with the burner, as required by local code authorities and/or as specified by the appliance manufacturer.**

## NOZZLE PLACEMENT

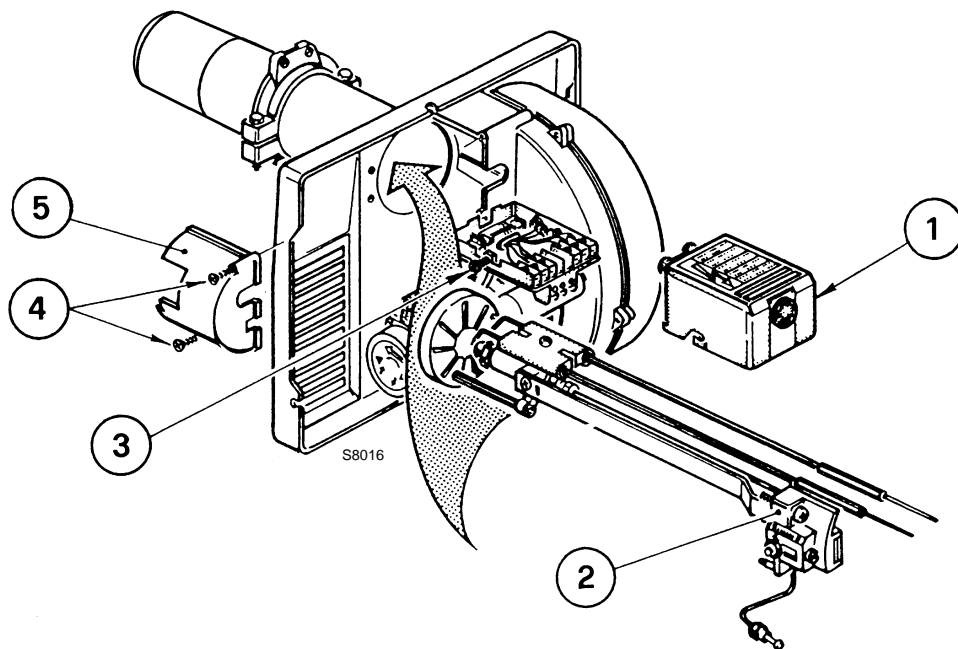
- A) Determine the proper firing rate for the boiler or furnace units, considering the specific application, and then use the Burner Setup charts on page 12 to select the proper nozzle and pump pressure to obtain the required input from the burner.
- B) Remove the NOZZLE ADAPTER (2) from the DRAWER ASSEMBLY by loosening the SCREW (1).
- C) Insert the proper NOZZLE into the NOZZLE ADAPTER and tighten securely (Do not over tighten).
- D) Replace adapter, with nozzle installed, into drawer assembly and secure with screw (1).



## INSTALLATION/REMOVAL OF DRAWER ASSEMBLY

### Removal:

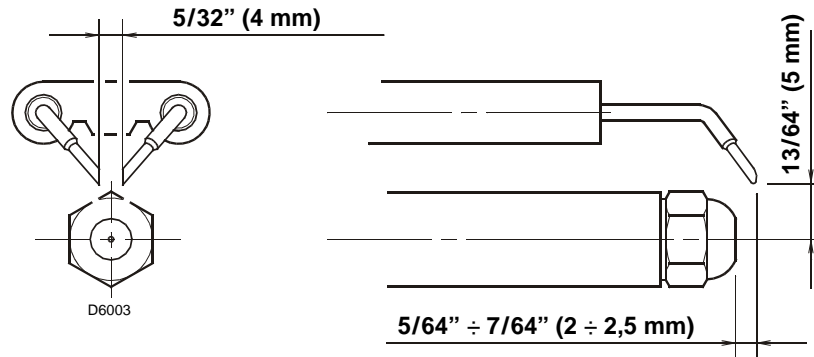
- A) Loosen off oil delivery tube nut from pump.
- B) Loosen SCREW (3), and then unplug CONTROL BOX (1) by carefully pulling it back and then up.
- C) Remove the AIR TUBE COVER PLATE (5) by loosening the retaining SCREW (4) (Two SCREWS – Model F5).
- D) Loosen SCREW (2), and then slide the complete drawer assembly out of the combustion head as shown.
- E) To insert drawer assembly, reverse the procedure in items A to D above.



## ELECTRODE SETTING



**IMPORTANT:** These dimensions must be observed and verified.



## TURBULATOR SETTING

A) Loosen NUT (1), and then turn SCREW (2) until the INDEX MARKER (3) is aligned with the correct index number as per the Burner Setup charts, or OEM specifications given with the appliance.

B) Re-tighten the RETAINING NUT (1).

### NOTE:

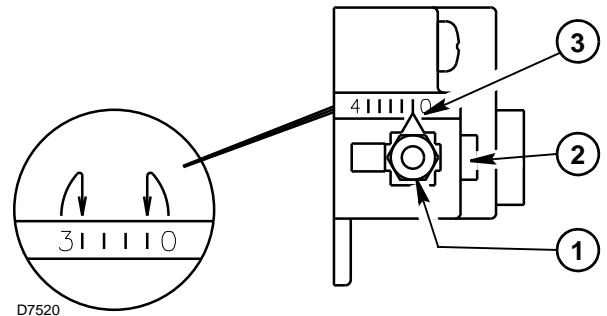
**OEM specifications take priority over retrofit specifications shown in this manual.**

### MODEL F3:

Zero and three are scale indicators only. From left to right the first line is 3 and the last line 0.

### MODEL F5:

Same as above, except scale indicators are 0 and 4.



## OIL LINE CONNECTIONS

This burner is shipped with the oil pump set to operate on a **single** line system. To operate on a **two-line** system the by-pass plug must be installed.

**WARNING:**

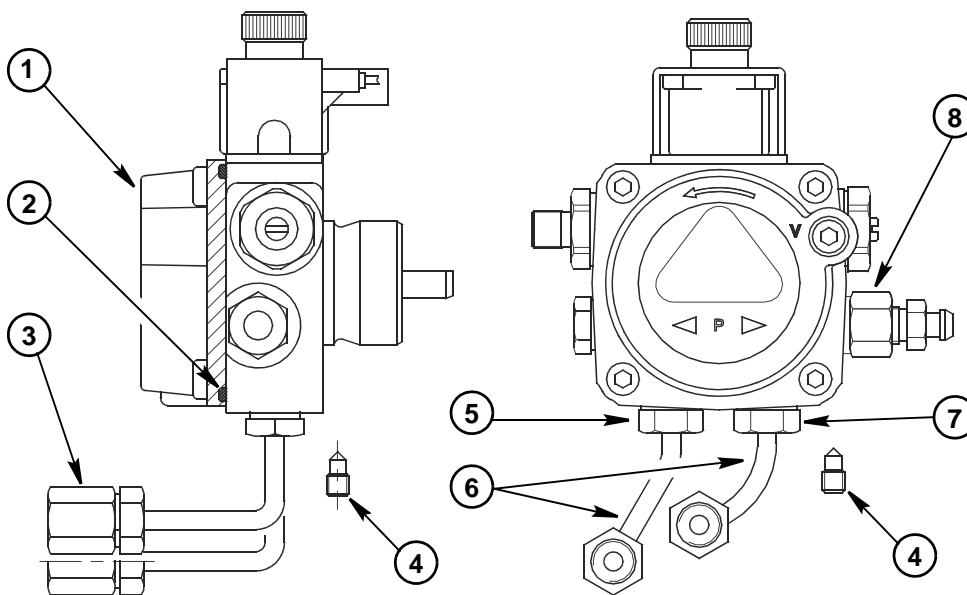
**Do not** operate a **single** line system with the by-pass plug installed.

Operating a **single** line system with the by-pass plug installed will result in damage to the pump shaft seal.

**NOTE:**

Pump pressure must be set at time of burner start-up. A pressure gauge is attached to the **PRESSURE PORT (8)** for pressure readings. Two **PIPE CONNECTORS (6)** are supplied with the burner for connection to either a single or two-line system. Also supplied are two **ADAPTORS (3)**, two female 1/4" NPT, to adapt oil lines to burner pipe connectors. All pump port threads are **British Parallel Thread** design. Direct connection of NPT threads to the pump **will damage** the pump body.

Riello manometers and vacuum gauges **do not** require any adapters, and can be safely connected to the pump ports. An NPT (metric) adapter **must** be used when connecting other gauge models.



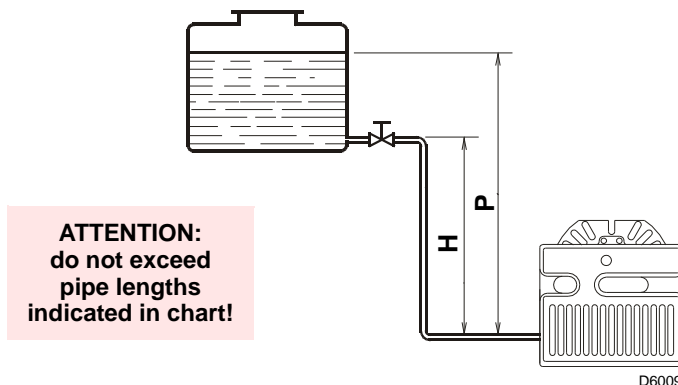
### SINGLE LINE (GRAVITY FEED SYSTEM)

A) The burner is shipped configured for use in single line applications. No changes to the oil pump are required for use in single line applications.

**NOTE:** If the **pump cover (1)** is removed for any reason, be sure the O-ring (2), is properly seated in the pump cover (1) before re-attaching the pump cover to the pump housing.

B) Connect the pipe connector to the **SUPPLY PORT(5)** of the pump. Attach the NPT adapter to the pipe connector. Attach the required piping to this pipe adapter. Be sure that the plug in the **RETURN PORT (7)** is tightened securely.

SINGLE LINE SYSTEM-PIPE LENGTHS					
H		3/8" OD		1/2" OD	
FT	M	FT	M	FT	M
1.5	0.5	33	10	65	20
3.0	1.0	65	20	130	40
5.0	1.5	130	40	260	80
6.5	2.0	195	60	325	100



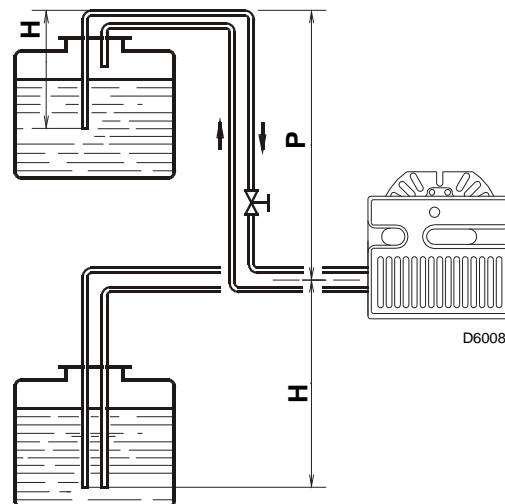
D6009

## TWO LINE (LIFT SYSTEM)

- A) If a two-line system is required, install the By-pass plug provided. The by-pass plug is installed in the return port of the pump. A 2.5-mm hexagonal key provided with the by-pass plug is to be used to install the plug. DO NOT use an inch size hexagonal key; damage to the by-pass plug may result. When operating on a two-line system, supply and return lines should be the same diameter and both **should extend to the same depth inside the fuel tank**. Be sure there are no air leaks or blockages in the piping system. Any obstructions in the return line will cause failure of the pump shaft seal.

2 LINE (LIFT) SYSTEM-PIPE LENGTHS					
H		3/8" OD		1/2" OD	
FT	M	FT	M	FT	M
0.0	0.0	115	35	330	100
1.5	0.5	100	30	330	100
3.0	1.0	80	25	330	100
5.0	1.5	65	20	295	90
6.5	2.0	50	15	230	70
9.5	3.0	25	8	100	30
11	3.5	20	6	65	20

**ATTENTION:**  
do not exceed  
pipe lengths  
indicated in chart!



### To install the by-pass plug:

- 1) Remove the return plug (7).
  - 2) Install the by-pass plug (4) using the 2.5 mm hexagonal key.
- B) Attach the two PIPE CONNECTORS (6) to the pump SUPPLY and pump RETURN PORTS (5 and 7). Attach the required piping to these two pipe connectors using the NPT/ METRIC ADAPTERS that are supplied with the burner.

### WARNING:

- Pipe dope or Teflon tapes are NOT to be used on any direct oil connection to the fuel pump.
- The height 'P' in Pipe Length Charts should not exceed 13 feet (4 m).
- The vacuum should not exceed 11.44 inches of mercury.

### IMPORTANT:

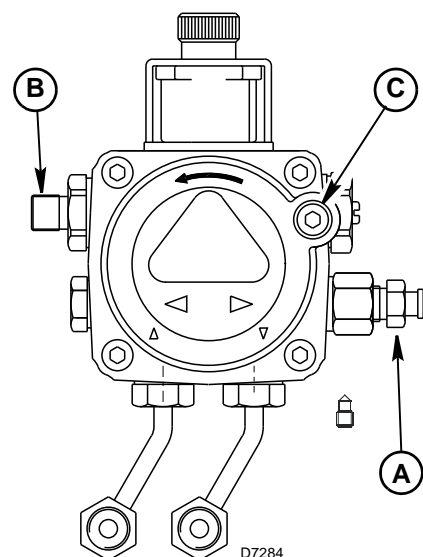
An external, appropriately listed and certified oil filter must be placed in the fuel line between the fuel tank and the burner pump.

## PUMP PURGE

**NOTE:** To protect the pump gears, it is advisable to lubricate the pump prior to purging a lift system. Apply oil through the VACUUM PORT (C).

### A) SINGLE LINE (GRAVITY FEED SYSTEM)

- I. Loosen the bleeder valve (A) until oil flows out. Tighten the bleeder valve securely and start burner.
- II. When bleeding the pump by pressure:
  - 1) Loosen the bleeder valve (A).
  - 2) Disconnect nozzle oil supply line at the pump nozzleport (B).
  - 3) Attach a flexible plastic tube to the pump nozzle, port directing the oil flow into a bucket.
  - 4) Loosen the screw(s) securing the air tube cover, allowing it to be removed freely.
  - 5) Holding the air tube cover in its proper location start the burner.
  - 6) When the solenoid valve is engaged approximately 10 seconds after starting, remove the air tube cover and shine a light source on the photocell, allowing it to see false light.





- 7) Run the burner until the fuel pump has been purged of air, then tighten the bleeder valve and immediately shut down the burner.
- 8) Reinstall the air tube cover and nozzle line.
- 9) The burner can now be started normally.

**WARNING:** Omitting steps 2 and 3 will result in a collection of unburned oil in the combustion chamber creating a hazardous situation upon burner startup.

### B) TWO LINE (LIFT SYSTEM)

Turn off the main power source to the burner and remove the air tube cover.

Shines a light source on the photocell (now visible where the air tube cover was removed), return power to the burner and activate the burner. With the light source in place, the burner will operate in prepurge only. When the pump is sufficiently purged, the hydraulic air shutter will open.

Once the burner is purged, turn off the power source and replace the air tube cover.

Return power to the burner. The burner is now ready to operate.

#### ATTENTION:

It is important that the fuel line be completely sealed and free from air leaks or any internal blockages.

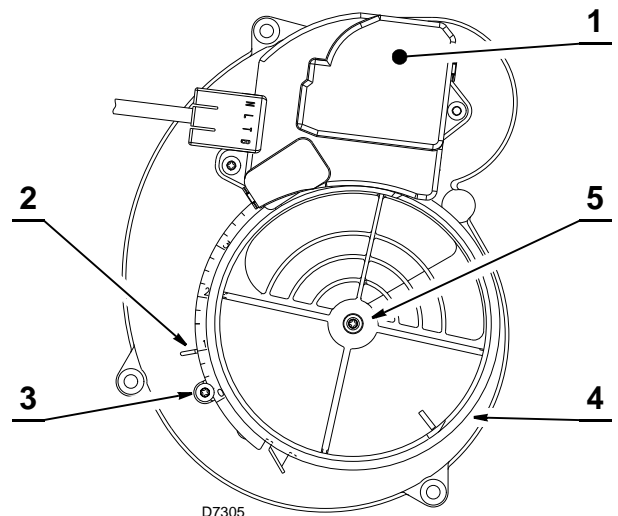
**WARNING!** WHEN THE BYPASS PLUG IS INSTALLED, A TWO-PIPE SYSTEM MUST BE USED OR FAILURE OF THE PUMP SHAFT WILL OCCUR.

### SETTING THE AIR ADJUSTMENT PLATE

The electronic air shutter assembly (1) is operated on a 120V 60Hz. motor, and the burner motor will not operate until the air shutter is in its fully open position.

Set the air plate (4) setting according to OEM setup information or by following the Retrofit settings listed in this manual. To adjust the air plate (4) to the desired set point indicator (2), loosen the center air shutter assembly screw (5) and loosen the side air plate screw (3), move air plate (4) by using the air plate adjust arm. After adjustments are made please retighten screws (3) & (5).

The final position of the air adjustment plate will vary on each installation. Using proper combustion test instruments to establish the proper setting of the air gate setting to achieve safe and efficient results according the appliance information or if not available.



**NOTE:** Variations in flue gas, smoke, CO<sub>2</sub> and temperature readings may be experienced when burner cover is put in place. Therefore, the burner cover **must** be in place when making final combustion instrument readings, to ensure proper test results are obtained.

## BURNER ADJUSTMENT TABLE

### NON-RETROFIT APPLICATIONS

If this burner is being installed in a packaged unit (i.e. Burner comes with a boiler or furnace), follow the installation and set-up instructions supplied with the heating appliance, as settings will differ from those shown in this manual.

MODEL F3 BURNER					
Actual Firing Rate 5% ±	Nozzle Size	Pump Pressure		Turbulator Setting	Air Damper Setting
		US GPH	GPH		
0.50	.40 x 60°/80°	160	11.0	0.0	2.3
0.60	.50 x 60°/80°	150	10.4	0.5	2.7
0.75	.60 x 60°/80°	150	10.4	1.5	3.4
0.80	.65 x 60°/80°	150	10.4	2.0	3.6
0.95	.75 x 60°/80°	160	11.0	3.0	4.3

MODEL F5 BURNER					
0.75	.60 x 60/ 80°	145	10	0.0	2.25
0.85	.65 x 60/ 80°	145	10	0.5	2.5
1.00	.85 x 60/ 80°	145	10	1.0	2.75
1.10	1.00 X 60/ 80°	145	10	2.0	3.0
1.25	1.10 x 60/ 80°	145	10	2.5	3.5
1.50	1.25 x 60/ 80°	145	10	3.0	4.25
1.65	1.35 X 60/ 80°	145	10	4.0	6.0

**NOTE:**

The above set up charts are a starting point only.

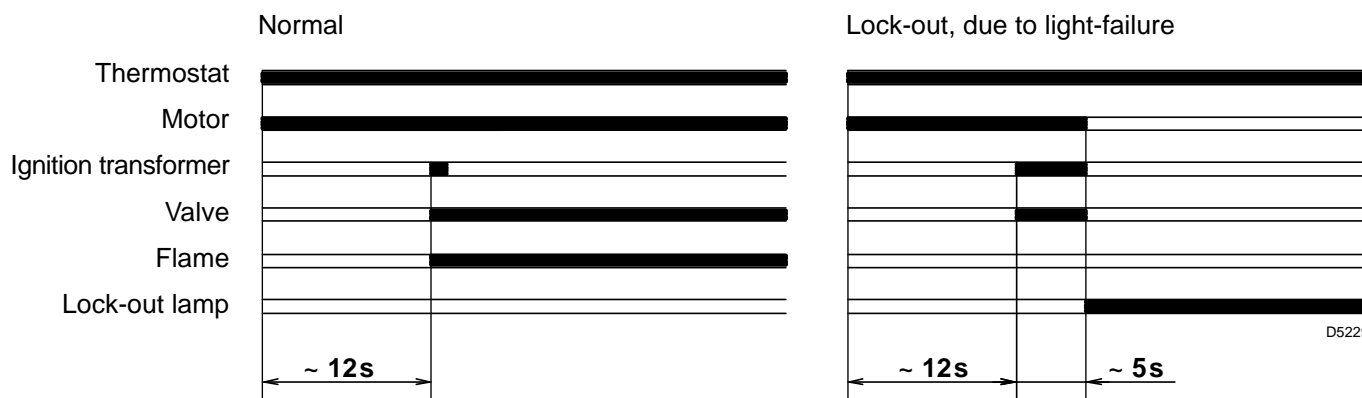
The burner and appliance must be properly set up using proper combustion testing equipment.

Any approved oil burner nozzle type, angle and manufacturer maybe used, as long as input is corresponding the correct BTU/hr. or US gph input rating of the appliance.

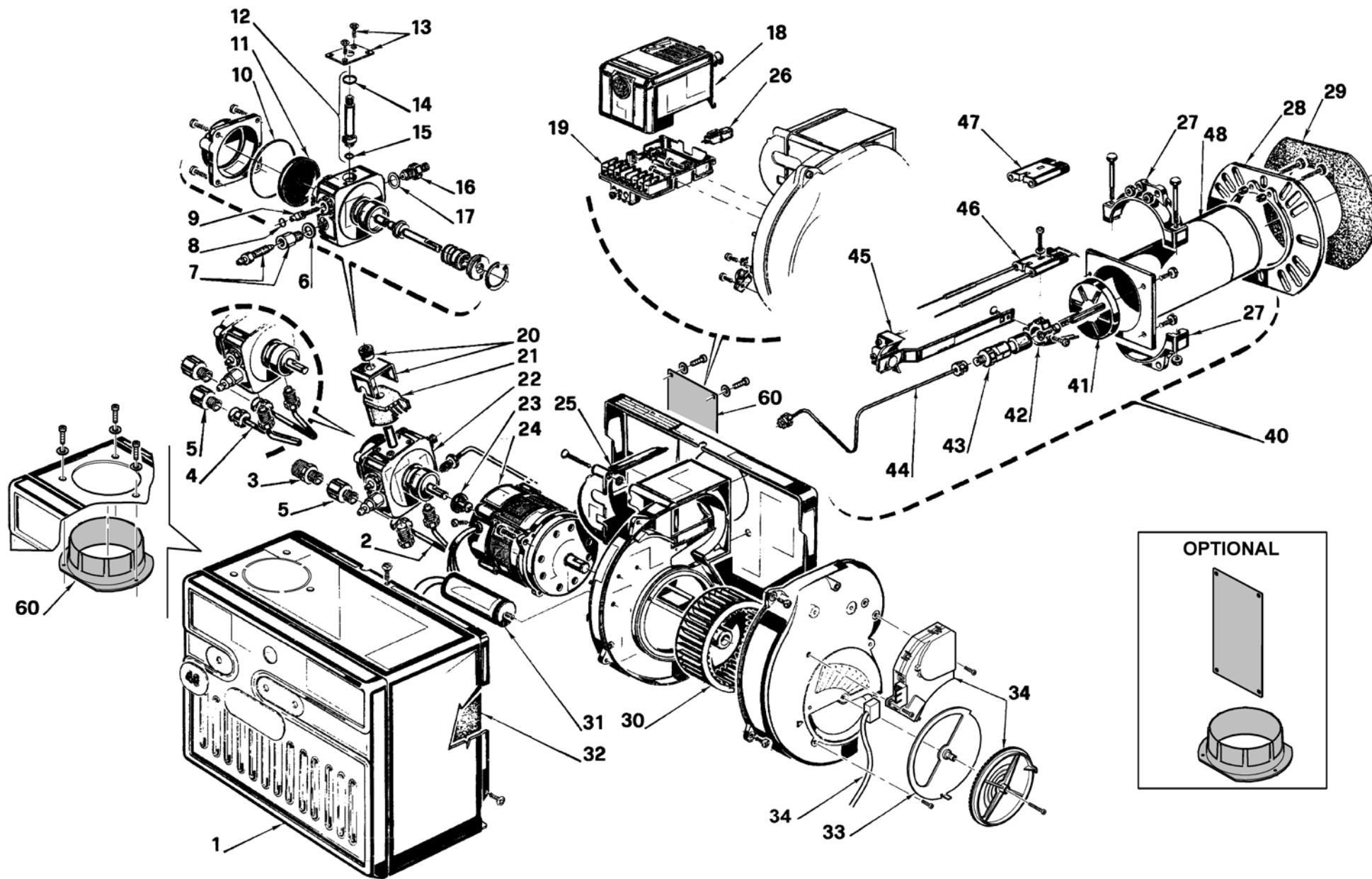
### COMBUSTION CHAMBER

Follow the instructions furnished by the boiler/furnace manufacturer. Size retrofit application according to the appropriate installation codes (e.g. CSA B139 or NFPA #31).

### BURNER START-UP CYCLE



EXPLODED SPARE PARTS LIST



## SPARE PARTS LIST

No.	CODE	F3	F5	DESCRIPTION	No.	CODE	F3	F5	DESCRIPTION
1	3020507	•		BURNER BACK COVER					<b>OPTIONAL</b>
1	3020508		•	BURNER BACK COVER	60	3002761	•	•	DUCTED COMBUSTION AIR INTAKE KIT
2	3006992	•	•	PIPE CONNECTOR - SUPPLY	61	C7001033	•	•	AMULET - CERAFELT SLEEVE KIT
3	3006571	•	•	3/8" NPT/METRIC ADAPTER - MALE					
4	3006993	•	•	PIPE CONNECTOR - RETURN					
5	3005847	•	•	1/4" NPT/ METRIC ADAPTER - FEMALE		C7001009	•	•	CAPILLARY PORT PLUG
6	3007077	•	•	CRUSHABLE METAL WASHER		3000932	•	•	ADJUSTABLE STEEL FLANGE
7	3007568	•	•	BLEEDER					
8	3007028	•	•	O-RING - PUMP PRESSURE REGULATOR					
9	3007202	•	•	REGULATOR SCREW					
10	3007162	C7010002	•	O-RING - PUMP COVER					
11	3005719		•	PUMP SCREEN					
12	3006925		•	VALVE STEM					
13	3007203	•	•	VALVE STEM PLATE					
14	3007029	•	•	O-RING - VALVE STEM UPPER					
15	3007156	•	•	O-RING - VALVE STEM LOWER					
16	3007268	•	•	NOZZLE OUTLET FITTING					
17	3007087	•	•	CRUSHABLE METAL WASHER 5/8" ID					
18	3001157	C7001029	•	PRIMARY CONTROL 530 SE/C					
19	3002278		•	PRIMARY CONTROL SUB BASE					
20	3006553	•	•	COIL U-BRACKET AND KNURLED NUT					
21	3002279		•	COIL					
22	3007802	C7001010	•	PUMP					
23	3000443	•	•	PUMP DRIVE KEY					
24	3005843	•	•	MOTOR					
25	3007315	•		AIR TUBE COVER					
25	3007316		•	AIR TUBE COVER					
26	3002280	•	•	PHOTOCELL					
27	3005854	•	•	SEMI FLANGE (2 REQUIRED)					
28	3005855	•	•	UNIVERSAL MOUNTING FLANGE					
29	3020248	C6880000	•	MOUNTING GASKET					
30	3005708		•	FAN					
31	20087023		•	CAPACITOR					
32	3002864	C6950050	•	ACOUSTIC LINER					
32	3007320		•	ACOUSTIC LINER					
33	3007204		•	MANUAL AIR SHUTTER					
34		C7001081	•	F3 REPLACEMENT AIR DAMPER KIT					
34		C7001082	•	F5 REPLACEMENT AIR DAMPER KIT					

## SPARE PARTS LIST

No.	CODE	F3	F5	DESCRIPTION	No.	CODE	F3	F5	DESCRIPTION
40	3948876	•		VSBT COMBUSTION HEAD 3"	40	3948877	•		COMBUSTION HEAD 8 7/8"
40	3948976		•	VSBT COMBUSTION HEAD 3"	40	3948975		•	COMBUSTION HEAD 8 7/8"
41	3006968	•		TURBULATOR DISC	41	3006968	•		TURBULATOR DISC
41	3006977		•	TURBULATOR DISC	41	3006977		•	TURBULATOR DISC
42	3006966	•	•	ELECTRODE SUPPORT	42	3006966	•	•	ELECTRODE SUPPORT
43	3006965	•	•	NOZZLE ADAPTER	43	3006965	•	•	NOZZLE ADAPTER
44	3008627	•		NOZZLE OIL TUBE	44	3008790	•		NOZZLE OIL TUBE
44	3008629		•	NOZZLE OIL TUBE	44	3008628		•	NOZZLE OIL TUBE
45	3008633	•		REGULATOR ASSEMBLY	45	3008846	•		REGULATOR ASSEMBLY
45	3008634		•	REGULATOR ASSEMBLY	45	3008635		•	REGULATOR ASSEMBLY
46	3008630	•		ELECTRODE ASSEMBLY	46	3008789	•		ELECTRODE ASSEMBLY
46	3008631		•	ELECTRODE ASSEMBLY	46	3008632		•	ELECTRODE ASSEMBLY
47	3005869	•	•	ELECTRODE PORCELAIN	47	3005869	•	•	ELECTRODE PORCELAIN
48	3008623	•		AIR TUBE	48	3008788	•		AIR TUBE
48	3008626		•	AIR TUBE	48	3008625		•	AIR TUBE
40	3948873	•		SBT COMBUSTION HEAD 6" (271T)	40	3948874	•		LBT COMBUSTION HEAD 10" (271T2)
40	3948973		•	SBT COMBUSTION HEAD 6" (271T)	40	3948974		•	LBT COMBUSTION HEAD 10" (271T2)
41	3006968	•		TURBULATOR DISC	41	3006968	•		TURBULATOR DISC
41	3006977		•	TURBULATOR DISC	41	3006977		•	TURBULATOR DISC
42	3006966	•	•	ELECTRODE SUPPORT	42	3006966	•	•	ELECTRODE SUPPORT
43	3006965	•	•	NOZZLE ADAPTER	43	3006965	•	•	NOZZLE ADAPTER
44	3006969	•		NOZZLE OIL TUBE	44	3006970	•		NOZZLE OIL TUBE
44	3006973		•	NOZZLE OIL TUBE	44	3006974		•	NOZZLE OIL TUBE
45	3006324	•		REGULATOR ASSEMBLY	45	3005867	•		REGULATOR ASSEMBLY
45	3006323		•	REGULATOR ASSEMBLY	45	3005878		•	REGULATOR ASSEMBLY
46	3006330	•		ELECTRODE ASSEMBLY	46	3005870	•		ELECTRODE ASSEMBLY
46	3006329		•	ELECTRODE ASSEMBLY	46	3005880		•	ELECTRODE ASSEMBLY
47	3005869	•	•	ELECTRODE PORCELAIN	47	3005869	•	•	ELECTRODE PORCELAIN
48	3007592	•		AIR TUBE	48	3007593	•		AIR TUBE
48	3007594		•	AIR TUBE	48	3007595		•	AIR TUBE
									LONG BLAST TUBE = LBT

## BURNER START UP REPORT

Model number: _____	Serial number: _____
Project name: _____	Start-up date: _____
Installing contractor: _____	Phone number: _____

<b>OIL OPERATION</b>			
Oil supply pressure: _____	CO <sub>2</sub> : Low Fire _____	High Fire _____	
Oil suction pressure: _____	O <sub>2</sub> : Low Fire _____	High Fire _____	
Control Power Supply: _____	CO: Low Fire _____	High Fire _____	
Burner Firing Rate: _____	NO <sub>x</sub> : Low Fire _____	High Fire _____	
Low Fire Flame Signal: _____	Net Stack Temp - Low Fire: _____	High Fire _____	
High Fire Flame Signal: _____	Comb. Efficiency - Low Fire: _____	High Fire _____	
Low Fire Nozzle Size: _____	Overfire Draft: _____		
High Fire Nozzle Size: _____	Smoke number: _____		

<b>CONTROL SETTINGS</b>			
Operating Setpoint: _____	Low Oil Pressure: _____		
High Limit Setpoint: _____	High Oil Pressure: _____		
Low Gas Pressure: _____	Flame Safeguard Model Number: _____		
High Gas Pressure: _____	Modulating Signal Type: _____		

<b>NOTES</b>
<hr style="border: 0; border-top: 1px solid black; margin-bottom: 10px;"/> <hr style="border: 0; border-top: 1px solid black; margin-bottom: 10px;"/> <hr style="border: 0; border-top: 1px solid black;"/>





PRÉCAUTION

## PRECAUTIONS D'INSTALLATION

### AIR POUR COMBUSTION

Ne pas installer le brûleur dans une salle n'ayant pas assez d'air pour la combustion. Assurez-vous qu'il y ait une alimentation en air adéquate pour la combustion si la salle de la chaudière/four est encastrée. Il peut être nécessaire de créer une fenêtre pour permettre à suffisamment d'air d'entrer dans la salle de la chaudière/four. L'installateur doit suivre des ordonnances locales à ce sujet.

**CANADA** Il est suggéré que l'installateur suive la norme CSA B139.

**USA** Il est suggéré que l'installateur suive le manuel NFPA #31.

### CHEMINÉE

Assurez-vous que la cheminée soit suffisante pour traiter les gaz d'échappement. Il est recommandé que seul le brûleur soit raccordé à la cheminée. Assurez-vous qu'il soit propre et sans obstructions.

### FILTRE À HUILE

Un filtre à huile externe est NÉCESSAIRE, même en cas de présence de filtre interne à la pompe. Le filtre doit être remplacé au moins une fois par an et le boîtier du filtre doit être minutieusement nettoyé avant d'installer une nouvelle cartouche filtrante.

### TIRAGE

Suivre la notice livrée avec l'appareil de chauffage. La pression dans la zone de combustion doit demeurer la plus proche possible de zéro. Le brûleur fonctionnera avec un léger tirage ou pression dans la chambre.

### CONNEXIONS ÉLECTRIQUES

**CANADA** Toutes les connexions électriques doivent être effectuées conformément au C.E.C. Part 1, et à tous les codes locaux. Le système doit être mis à la masse.

**USA** Toutes les connexions électriques doivent être effectuées conformément au Code électrique national, et à toutes les ordonnances locales. Le système doit être mis à la masse.

### FONCTIONNEMENT DU BRÛLEUR DE CONTRÔLE

Vérifier le brûleur et expliquer son fonctionnement au propriétaire. Assurez-vous de laisser la feuille d'Instruction du propriétaire chez le propriétaire.

### EXTINCTEUR

Si requis par les codes locaux, installer un extincteur approuvé.

### CONNEXIONS ÉLECTRIQUES

Dans la plupart des localités, un fil de chiffre 14 doit être utilisé à l'intérieur d'un conduit métallique. Le système doit être mis à la masse. Un interrupteur de service doit être placé près du brûleur sur une paroi ignifuge dans un endroit facilement accessible.



ATTENTION

Les réglages du brûleur utilisés dans le présent manuel ont été obtenus dans des conditions de laboratoire et peuvent varier par rapport à ceux obtenus dans l'installation effective du brûleur. Les résultats de la combustion doivent être vérifiés en utilisant un équipement de test de combustion. Riello ne sera pas responsable de l'installation ou du paramétrage incorrects de l'appareil.



**INDEX**

CONTENU DE L'EMBALLAGE .....	1
IDENTIFICATION DU NUMÉRO DE SÉRIE .....	1
DONNÉES TECHNIQUES .....	2
Spécifications .....	2
Dimensions du brûleur .....	2
Identification des composants du brûleur .....	2
Composants du brûleur .....	2
PRÉPARATION .....	3
MONTAGE DU TUBE D'AIR SUR LE CHÂSSIS DU BRÛLEUR .....	3
MONTAGE DU BRÛLEUR SUR LA CHAUDIÈRE OU LE FOUR .....	3
Méthode 1- Bride de montage universelle .....	3
Méthode 2 - Collier avec demi-bride .....	4
Méthode 3 - Montage sur pied .....	4
INSTRUCTIONS D'INSTALLATION D'AMULETTE .....	5
CÂBLAGE FAIT EN USINE .....	6
CÂBLAGE SUR SITE DE L'APPLICATION .....	7
INSTALLATION DU GICLEUR .....	8
MONTAGE / DÉMONTAGE DU TIROIR .....	8
RÉGLAGE DE L'ÉLECTRODE .....	9
RÉGLAGE DU TURBULATEUR .....	9
RACCORDEMENT DES TUYAUX D'HUILE .....	10
Un tuyau (système d'alimentation par gravité) .....	10
Deux tuyaux (système de relevage) .....	10
PURGE DE LA POMPE .....	11
Un tuyau (système d'alimentation par gravité) .....	11
Deux tuyaux (système de relevage) .....	11
RÉGLAGE DE LA PLAQUE DE RÉGLAGE D'AIR .....	12
TABLEAU DE RÉGLAGE DU BRÛLEUR .....	13
CYCLE DE DÉMARRAGE DU BRÛLEUR .....	13
CATALOGUE ÉCLATÉ DES PIÈCES DÉTACHÉES .....	14
CATALOGUE DES PIÈCES DÉTACHÉES .....	15
RAPPORT DE DÉMARRAGE DU BRÛLEUR .....	17

## CONTENU DE L'EMBALLAGE

Votre brûleur Riello 40 doit être composé des pièces suivantes. Veuillez contrôler la présence de toutes les pièces énumérées ci-après avant de procéder à l'installation de l'appareil.

Quantité	Description
1	Châssis brûleur avec capot
1	Bride de montage universelle + joint de montage
1	Sachet de pièces
1	Sachet de pièces
1	Notice d'installation
	<b>Cartons séparés</b> - brûleurs FEO, livrés avec leur tête de combustion déjà montée
1	Tête de combustion

### Sachet de pièces

Quantité	Description
1	Bouchon de dérivation
1	Adaptateur femelle 1/4" NPT
1	Adaptateur mâle 3/8" NPT
1	Clé à six pans 2,5 mm
1	Connecteur pompe huile (alimentation)
1	Connecteur pompe huile (retour)

### Sachet de pièces

Quantité	Description
2	Boulons de demi-bridés (longs)
2	Demi-bridés
2	Boulons de brides de montage (courts)
4	Écrous
2	Écrous chromés
2	Vis de couverture

## IDENTIFICATION DU NUMÉRO DE SÉRIE

Votre brûleur Riello peut avoir été fabriqué en plusieurs endroits et il existe donc deux identifications par numéro de série possibles.

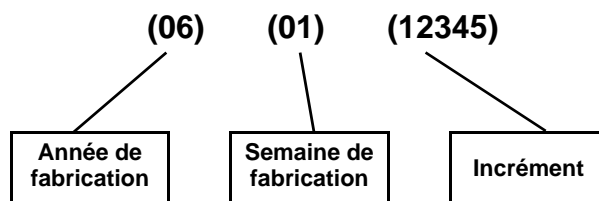
Le numéro de série à 9 chiffres Riello, comme par exemple

**06 01 12345**, signifie ce qui suit:

**06** = Deux derniers chiffres de l'année de fabrication;

**01** = Semaine de fabrication;

**12345** = Incrément de 1 pour chaque brûleur produit - spécifique au code produit - remis à zéro chaque 1<sup>er</sup> janvier.



Le numéro de série Riello à 15 caractères, exemple,

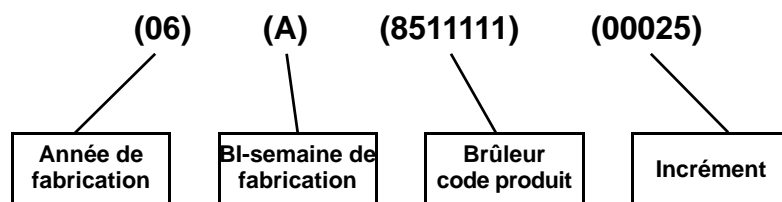
**06 A 8511111 00025**, est identifié comme suit:

**06** = Deux derniers chiffres de l'année de fabrication;

**A** = BI-semaine de fabrication;

**8511111** = Code produit du brûleur;

**00025** = Incrément de 1 pour chaque brûleur produit - spécifique au code produit - remise à zéro chaque 1<sup>er</sup> janvier.

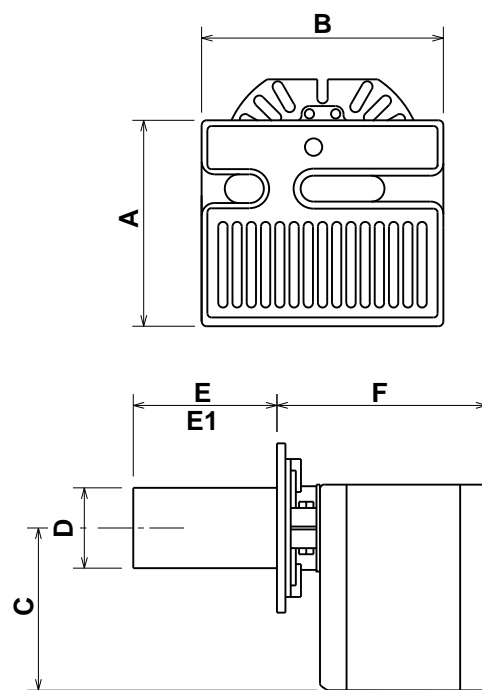


## DONNÉES TECHNIQUES SPÉCIFICATIONS

Combustible	Pas plus lourd que l'huile combustible # 2
F3 Plage d'allumage - Puissance effective	0,50 à 0,95 US GPH - 70.000 à 133.000 BTU/h
F5 Plage d'allumage - Puissance effective	0,75 à 1,65 US GPH - 105.000 à 231.000 BTU/h
Tension (monophasée)	120V 60Hz (+ 10% - 15%)
F3 Puissance électrique absorbée	155 Watts
F5 Puissance électrique absorbée	175 Watts
Moteur (nominal)	3250 tours/min. Courant de cycle 2,2 AMP
Condensateur	12,5 Microfarads
Pression de la pompe	de 130 à 200 psi
Commande primaire	RIELLO 530 SE/C
Transformateur d'allumage	8kV 16mA

## DIMENSIONS DU BRÛLEUR

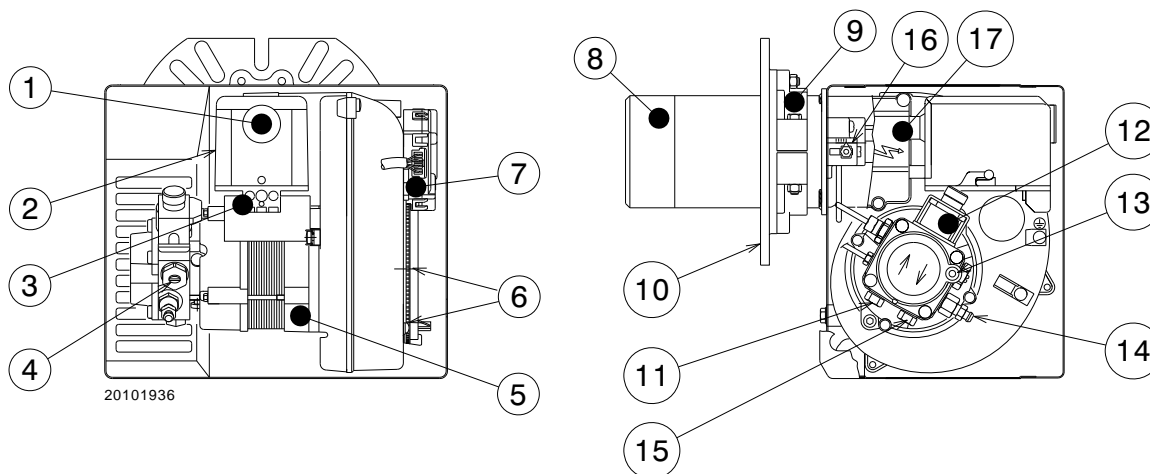
Modèle		A	B	C	D	E	F
F3	Pouces	8 15/32	9 59/64	6 15/32	3 1/2	6	8 29/32
	mm	215	252	164	89	152	226
F5	Pouces	9 11/64	10 11/16	7 3/32	3 1/2	6	9 13/32
	mm	233	272	180	89	152	239



D7352

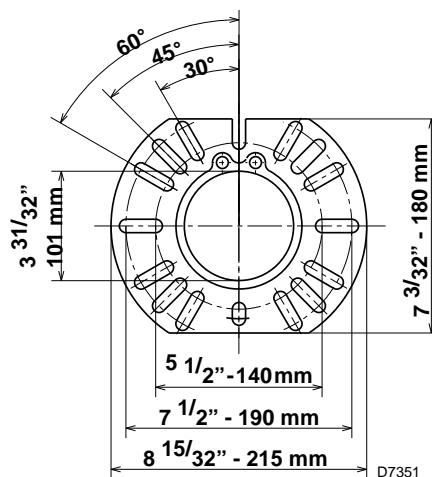
E1: Des tubes de 10 pouces de longueur (254 mm) sont également disponibles.

## IDENTIFICATION DES COMPOSANTS DU BRÛLEUR



## COMPOSANTS DU BRÛLEUR

- |  |  |
|--|--|
| 1 Voyant de blocage et bouton de déblocage | 9 2 demi-brides                          |
| 2 Commande primaire                        | 10 Bride de montage avec joint           |
| 3 Sous-base de commande primaire           | 11 Orifice d'alimentation en combustible |
| 4 Régulateur de pression de la pompe       | 12 Vanne de la pompe (bobine)            |
| 5 Moteur                                   | 13 Orifice du vacuomètre                 |
| 6 Réglage de l'air et obturateur           | 14 Manomètre et orifice purgeur          |
| 7 Groupe volet d'air électronique          | 15 Raccord de retour du combustible      |
| 8 Tête de combustion                       | 16 Vis de réglage turbulateur            |
|  | 17 Capot de tube d'air                   |



D7351

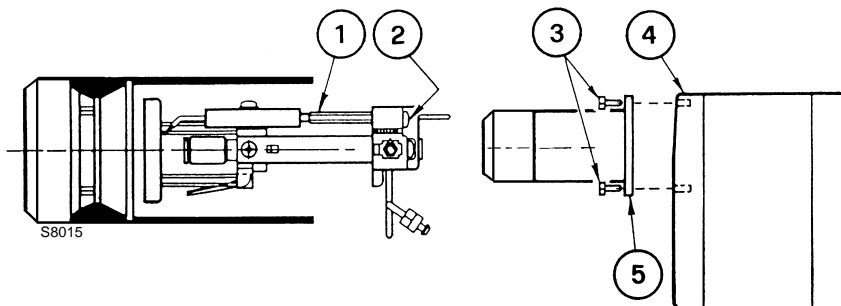
## PRÉPARATION

- Enlever le brûleur et le tube d'air des cartons. Contrôler que toutes les pièces de la liste du contenu de l'emballage (à l'intérieur du capot) sont présentes.
- Enlever le capot du brûleur en desserrant les trois vis de fixation. Enlever la boîte de contrôle et le capot du tube d'air.
- Enlever le tiroir du tube d'air, introduire le gicleur, régler le turbulateur pour l'entrée voulue puis mettre de côté.
- Monter le tube d'air sur le châssis du brûleur.

## MONTAGE DU TUBE D'AIR SUR LE CHÂSSIS DU BRÛLEUR

Le tube d'air et le tiroir sont livrés dans un autre carton par rapport à celui du châssis du brûleur. Prendre la bonne longueur de tube d'air adaptée à l'installation en question.

- Séparer le TUBE D'AIR et le CHÂSSIS DU BRÛLEUR de leur carton respectif.
- Desserrer la vis (2) pour pouvoir enlever le GROUPE TIROIR (1) de l'intérieur du TUBE D'AIR.



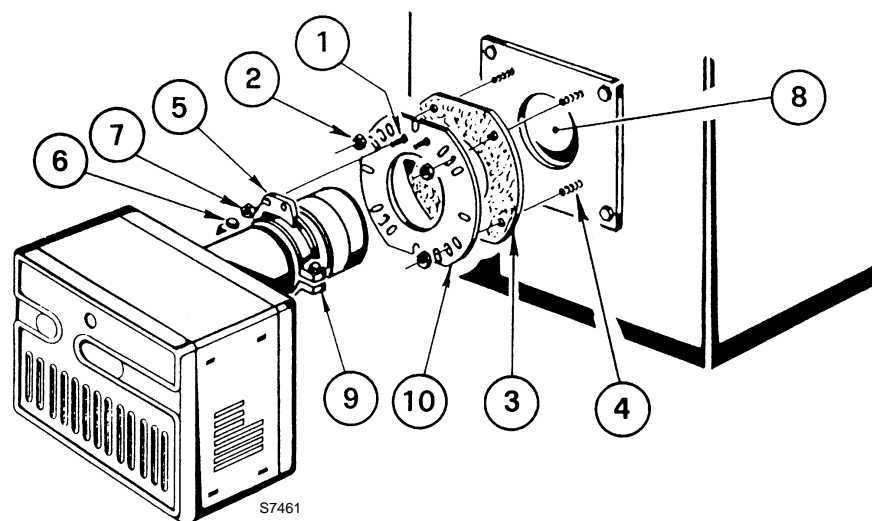
- Tirer délicatement le GROUPE TIROIR du TUBE D'AIR vers l'extérieur, installer le gicleur voulu (voir page 8) et mettre de côté.
- Enlever les deux BOULONS (3) de la PLAQUE AVANT (4) du CHÂSSIS du BRÛLEUR. Aligner les deux orifices sur la PLAQUE DE SOUTIEN DU TUBE D'AIR (5) avec les deux orifices présents sur la PLAQUE AVANT DU CHÂSSIS DU BRÛLEUR avec les BOULONS (3) précédemment enlevés. Remonter les BOULONS et les serrer uniquement à la main. Remonter le GROUPE TIROIR dans le TUBE D'AIR.  
Serrer la VIS (2) à fond.
  - Serrer les deux boulons (3) à fond.

## MONTAGE DU BRÛLEUR SUR LA CHAUDIÈRE OU LE FOUR

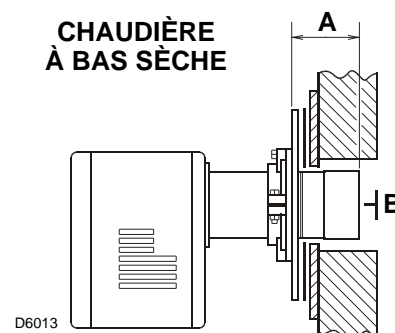
En fonction de l'usage du brûleur, il est possible de monter ce dernier de trois façons différentes. Ces méthodes sont les suivantes:

- Avec une bride universelle fixée sur la chaudière/four.
- Avec un collier avec demi-bride fixé sur la chaudière/four.
- Avec une bride universelle montée sur le pied livré en option; le montage direct de la bride sur l'appareil n'est pas possible. Le kit pied doit être commandé à part.

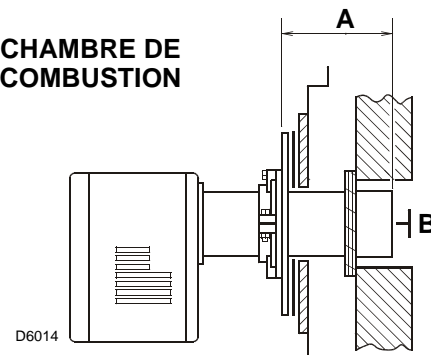
### MÉTHODE 1 – BRIDE DE MONTAGE UNIVERSELLE



#### CHAUDIÈRE À BAS SÈCHE



#### CHAMBRE DE COMBUSTION



- A) Introduire les deux BOULONS (1) dans la BRIDE DE MONTAGE UNIVERSELLE (10) depuis le côté plat, en veillant à ce que les têtes des boulons soient au même niveau que la surface plane. Les solidariser à l'aide des deux ÉCROUS CHROMÉS (2) spéciaux livrés avec l'appareil.
- B) Placer le JOINT DE MONTAGE (3) entre la surface plane de la BRIDE DE MONTAGE UNIVERSELLE (10) et l'appareil.  
Aligner les orifices de la BRIDE DE MONTAGE UNIVERSELLE avec les GOUJONS (4) présents sur la plaque de montage de l'appareil, puis serrer à fond LA BRIDE DE MONTAGE UNIVERSELLE sur la plaque.
- C) Solidariser les deux demi-bridés du COLLIER RÉGLABLE (9) sur le TUBE D'AIR, à l'aide des deux BOULONS longs (6).  
S'assurer que le COLLIER RÉGLABLE (9) est bien installé de sorte que le bord extérieur du CÔNE D'EXTRÉMITÉ soit au moins à 1/4" pouce (6,5 mm) en retrait par rapport à la paroi interne du matériau réfractaire de la chambre de combustion (voir dimension B ci-dessus). La longueur mesurée (A) comprend le JOINT et la BRIDE DE MONTAGE, si présents.
- D) Il est maintenant possible de raccorder l'unité chauffante en faisant passer le TUBE D'AIR à travers l'ORIFICE D'ACCÈS DU BRÛLEUR (8) puis dans l'appareil de chauffage, en veillant à ce que les BOULONS (1) soient alignés avec les deux ORIFICES (5) du COLLIER RÉGLABLE (9). Solidariser le brûleur à l'aide des deux ÉCROUS (7).  
Il est conseillé de procéder à un contrôle visuel de l'insertion du tube d'air dans la chambre de combustion de l'unité chauffante.  
La dimension B doit être au minimum, 1/4" (voir schéma).

**REMARQUE:**

Méthode conseillée pour percer les trous pour les boulons dans le joint de montage : Tenir le joint contre les boulons de montage de l'appareil de chauffage, en s'aidant de la bride de montage en vue d'obtenir le positionnement approprié. Taper délicatement sur la bride avec un marteau afin de former l'empreinte des orifices.

**MÉTHODE 2 - COLLIER AVEC DEMI-BRIDE**

- A) Procéder selon le point C de la MÉTHODE 1.
- B) Aligner le tube d'air et son collier réglable monté de sorte que le tube d'air soit centré dans l'orifice d'accès du brûleur/four. Faire une marque au centre des deux orifices dans le COLLIER RÉGLABLE, sur la plaque avant de l'unité chauffante. Puis percer des trous d'1/4 de pouces (6,5 mm) à travers la plaque avant de l'unité, en s'aidant des marques comme points de repère.
- C) Faire passer les deux BOULONS courts (1) à travers la plaque avant de l'unité chauffante par l'intérieur et fixer, de l'extérieur, les deux ÉCROUS CHROMÉS (2) spéciaux.
- D) Procéder selon le point D de la MÉTHODE 1.

**MÉTHODE 3 - MONTAGE SUR PIED**

Fixer la BRIDE DE MONTAGE sur le PIED en utilisant le matériel livré avec ce dernier. Attacher le brûleur sur la BRIDE DE MONTAGE tel qu'indiqué dans la MÉTHODE 1, point A, C et D.

**REMARQUE:**

Il est conseillé d'attacher le pied au sol, à l'aide de brides sur le tube du pied et en attachant les brides au sol.



PRÉCAUTION

**LORSQUE LA CHAMBRE DE COMBUSTION EST ALIGNÉE AVEC LE MATÉRIAU RÉFRACTAIRE, IL EST ESSENTIEL QUE LE CÔNE D'EXTRÉMITÉ NE DÉPASSE PAS DE LA CHAMBRE CAR, EN CAS DE SURCHAUFFE DU BRÛLEUR, LE CÔNE D'EXTRÉMITÉ RISQUERAIT D'ÊTRE DÉTÉRIORÉ.**

## INSTRUCTIONS D'INSTALLATION D'AMULETTE (Requis sur certains modèles)

Les amulettes fournies ont été choisies par Riello pour protéger le tube de combustion des gaz d'échappement chauds et des flammes. Cette protection peut s'avérer nécessaires dans les applications où le tube de combustion s'ouvrant dans le matériau réfractaire de la chambre de combustion est plus grand que le diamètre extérieur du tube.

L'amulette a été dimensionnée pour s'adapter au modèle 40 de Riello tailles F3 et F5 plus le modèle R35 de Riello.

Lors de l'installation de cette amulette, la manipuler avec précautions.

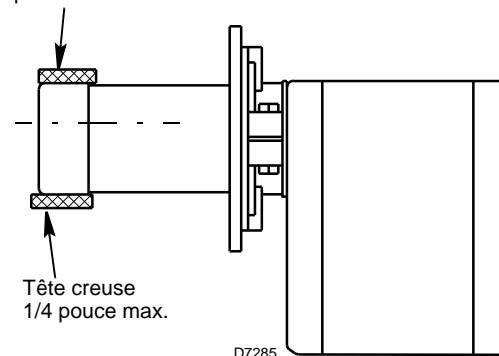
Ne pas exercer de pression anormale lorsque l'on pousse l'amulette sur le tube de combustion.

Une force excessive pourrait provoquer la rupture de l'amulette!

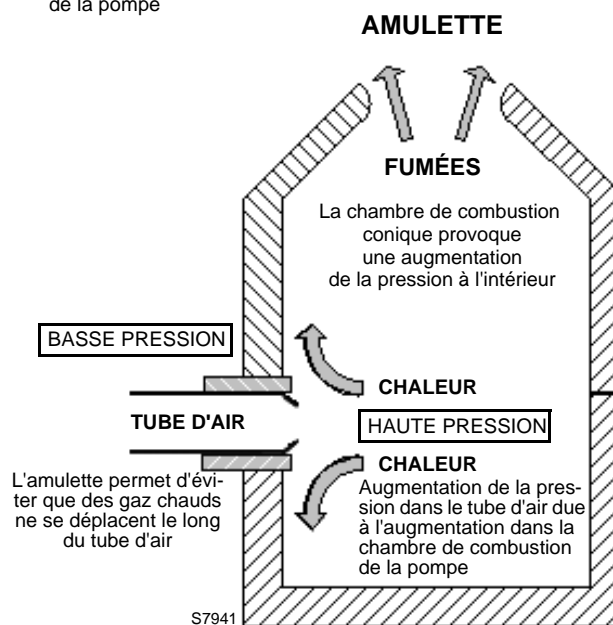
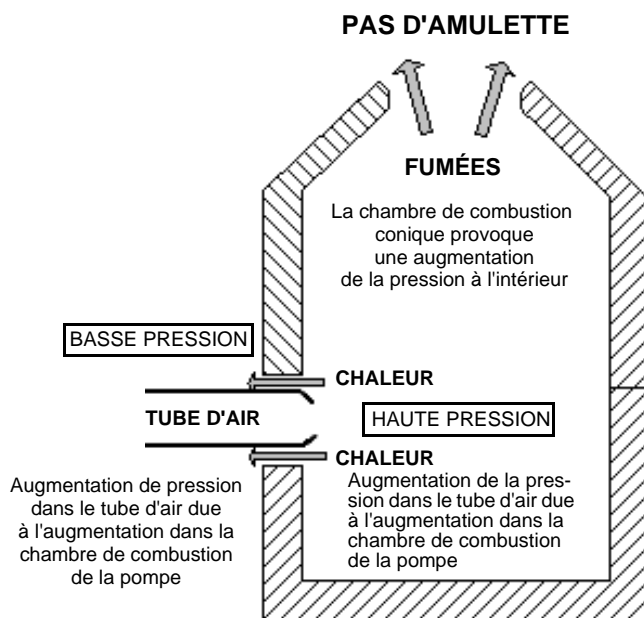
Si l'amulette ne s'adapte pas facilement sur le tube, enlever une petite quantité du diamètre interne avec un couteau acéré pour fournir le jeu nécessaire.

Le diagramme ci-dessous montre la position correcte de l'amulette après installation.

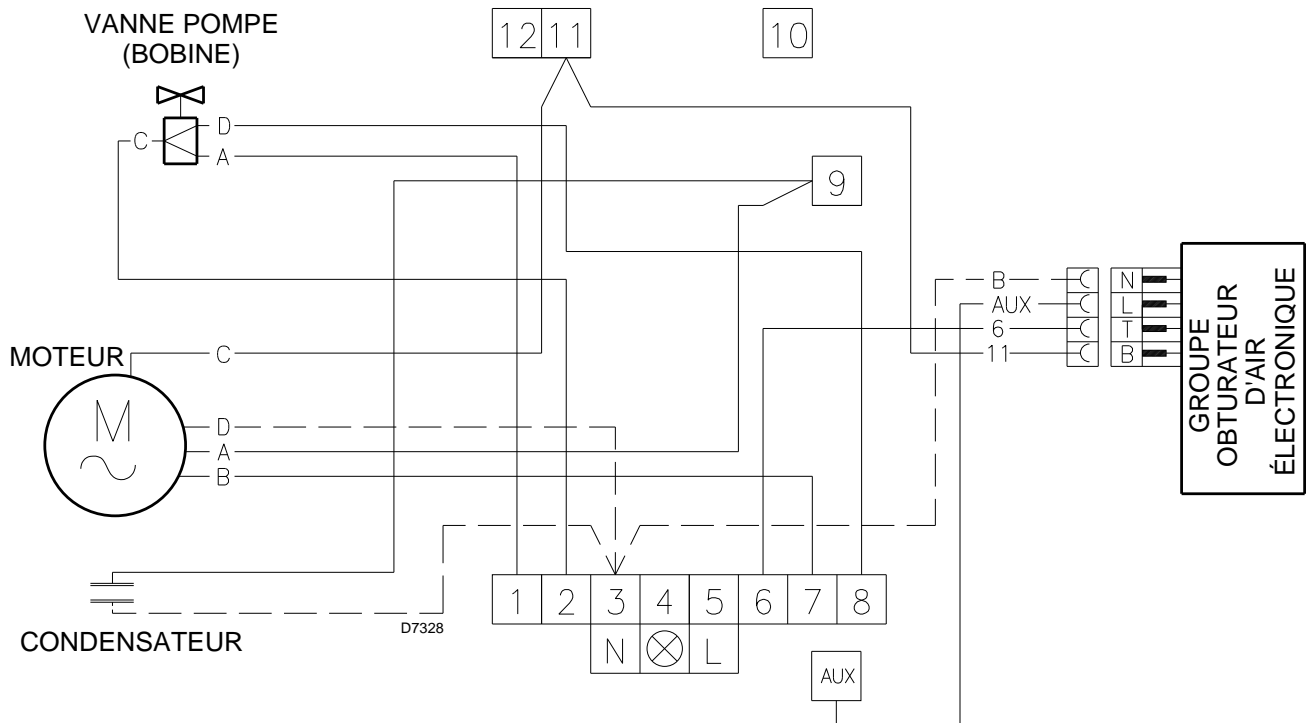
Amulette indiquée dans la position montée à fleur



Augmentation de la pression dans le tube d'air due à l'augmentation dans la chambre de combustion de la pompe



## CÂBLAGE FAIT EN USINE

**BRÛLEURS À HUILE RIELLO 40 SÉRIE F3 - F5 ÉQUIPÉS  
D'UN CÂBLAGE D'USINE INTERNE DE L'OBTURATEUR À AIR ÉLECTRONIQUE**
**Légende du schéma d'installation:**

**A** - Marron  
**B** - Blanc  
**C** - Bleu  
**D** - Noir

**6** - Source de 120V déclenchant l'ouverture de l'obturateur  
**11** - Moteur source 120V plomb  
⊗ - Borne d'alarme de commande de blocage de 120V  
**AUX** - Borne auxiliaire 120V constante - volet d'air électronique

**ATTENTION!!**

- **N'échangez jamais le neutre et la phase, suivez le diagramme indiqué minutieusement et réalisez une bonne mise à la terre.**
- Taille minimale des fils AWG 18.
- Tous les câblages doivent être réalisés conformément à la législation existante, aussi bien nationale que locale.

## CÂBLAGE SUR SITE DE L'APPLICATION



LE SCHÉMA ÉLECTRIQUE MONTRE LA BOÎTE DE CONTRÔLE PRIMAIRE STANDARD RIELLO 530 SE/C.

### REMARQUES SUR L'INSTALLATION:

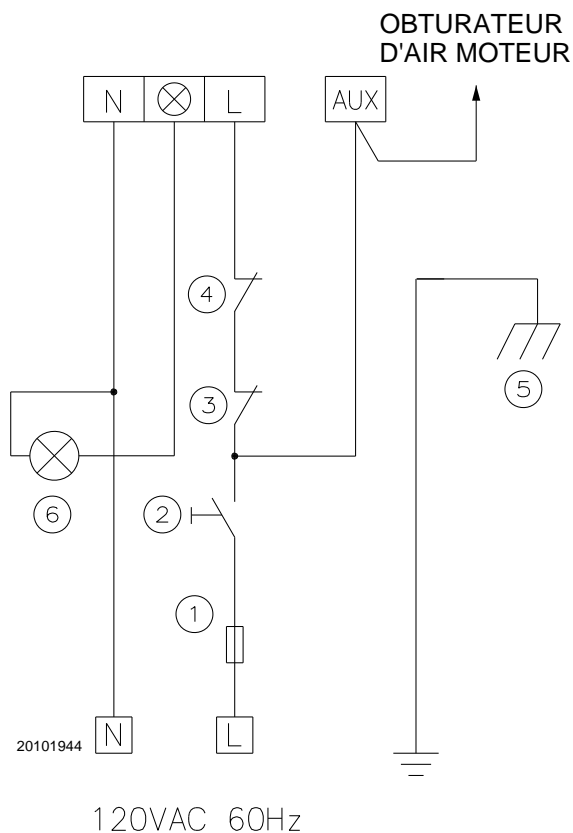
L'OBTURATEUR D'AIR ÉLECTRONIQUE DEMANDE UNE ALIMENTATION DE PUISSANCE DE LA BORNE AUXILIAIRE CONSTANTE DE 120 V. LE CAS CONTRAIRE, LE BRÛLEUR NE FONCTIONNERA PAS OU BIEN L'OBTURATEUR NE POURRA PAS SE FERMER.

**ATTENTION: LA LIMITE DE FONCTIONNEMENT ET LA LIMITE DE SÉCURITÉ CONSTITUENT DES LIMITES DIFFÉRENTES.**

### Légende du schéma d'installation:

- 1 - Fusible de débranchement principal
- 2 - Interrupteur de service manuel
- 3 - Dispositif de limite de sécurité
- 4 - Dispositif de limite de fonctionnement
- 5 - Branchement de mise à la terre du châssis du brûleur
- 6 - Dispositif d'alarme de blocage à distance du brûleur - branchement et fourniture non inclus

**AUX** - Connecteur supplémentaire sous-base auxiliaire (volet d'air)



### TAILLE MINIMUM FIL:

SOLIDE AWG 18 ISOLÉ OU 16 BRINS

UNE MISE À LA TERRE CORRECTE REQUIÈRE

RÉSISTANT À 105°C

QUE TOUS LES BRANCHEMENTS ILLUSTRÉS SOIENT FOURNIS PAR DES TIERS.

### ATTENTION:

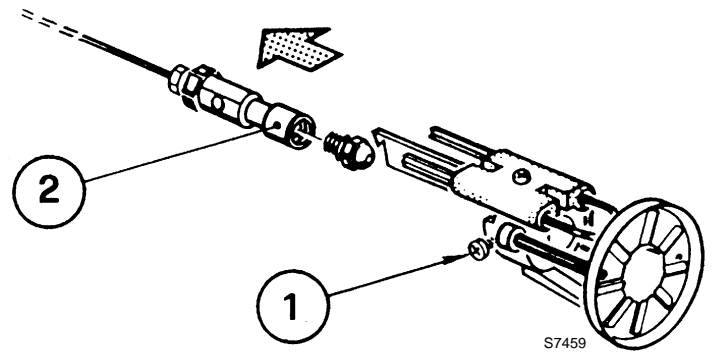
**NE PAS** démarrer le brûleur tant que les raccordements des tuyaux d'huile n'ont pas été réalisés car cela peut entraîner la rupture du joint de l'arbre de la pompe.

**NE PAS** démarrer le brûleur tant que toutes les commandes de sécurité et de fonctionnement n'ont pas été branchées au brûleur, tel que prescrit par la législation et/ou par le fabricant de l'appareil.



## INSTALLATION DU GICLEUR

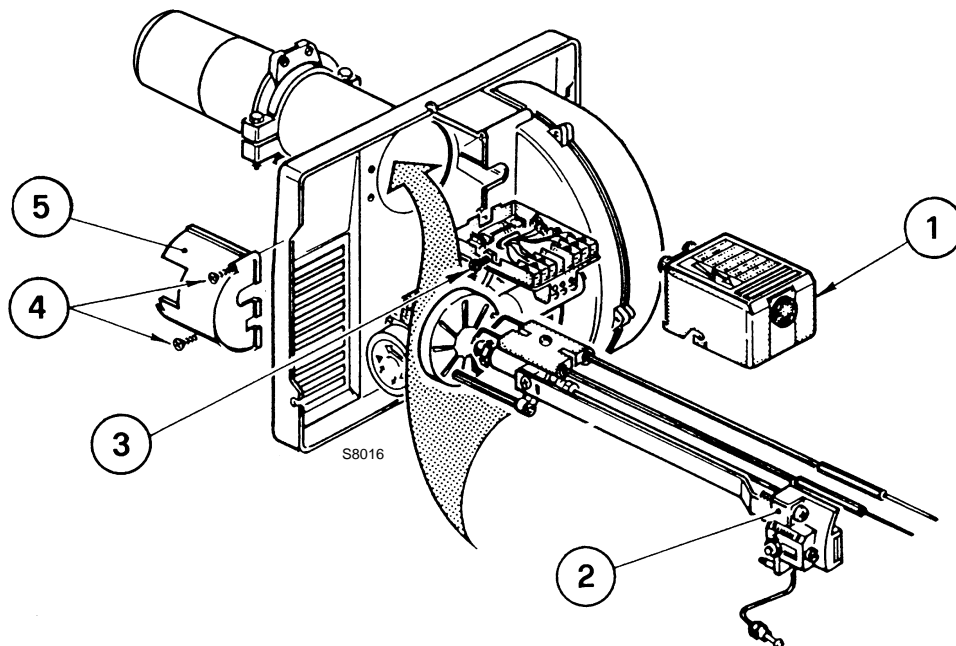
- A) Déterminer la plage d'allumage appropriée pour la chaudière ou le four, en tenant compte de l'emploi particulier, puis consulter les tableaux de démarrage du brûleur à la page 12 afin de pouvoir choisir le gicleur approprié ainsi que de connaître la valeur de pression de la pompe et obtenir la valeur d'entrée voulue pour le brûleur.
- B) Desserrer la VIS (1) pour pouvoir enlever l'ADAPTEUR DE GICLEUR (2) du GROUPE TIROIR.
- C) Insérer le GICLEUR approprié dans l'ADAPTEUR DE GICLEUR puis bien serrer (sans exagérer).
- D) Remonter l'adaptateur, avec le gicleur, dans le groupe tiroir et fixer avec la vis (1).



## INSTALLATION/DÉMONTAGE DU GROUPE TIROIR

### Démontage:

- A) Desserrer l'écrou du tube d'arrivée d'huile sur la pompe.
- B) Desserrer la VIS (3) puis ouvrir la BOÎTE DE CONTRÔLE (1) en tirant délicatement le couvercle vers l'arrière puis le vers le haut.
- C) Enlever la PLAQUE DU CAPOT DU TUBE D'AIR (5) en desserrant la VIS de retenue (4) (Deux VIS - Modèle F5).
- D) Desserrer la VIS (2) puis faire glisser tout le groupe tiroir hors de la tête de combustion, tel qu'illustré.
- E) Pour remonter le groupe tiroir, procéder de façon inverse aux points A à D ci-avant.

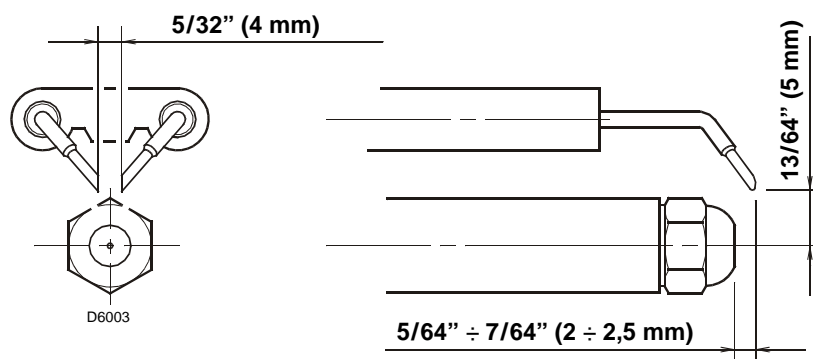


## RÉGLAGE DE L'ÉLECTRODE



ATTENTION

**IMPORTANT: Il est impératif de respecter ces dimensions.**



## RÉGLAGE DU TURBULATEUR

A) Desserrer l'ÉCROU (1) puis tourner la VIS (2) jusqu'à ce que le POINT DE REPÈRE DE L'INDEX (3) soit aligné avec le nombre de l'index correct, tel qu'indiqué dans les tableaux de démarrage du brûleur ou des spécifications FEO fournies avec l'appareil.

B) Resserrer l'ÉCROU DE RETENUE (1).

### REMARQUE:

**Les spécifications FEO ont la priorité sur les spécifications de mise à niveau illustrées dans ce manuel.**

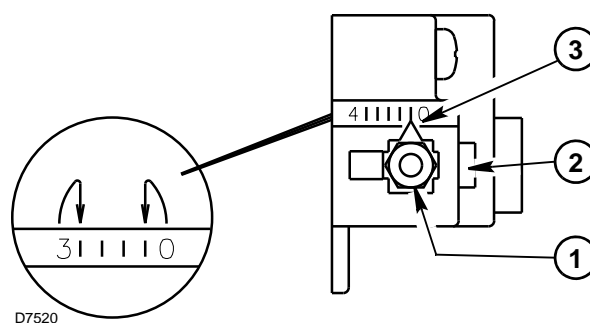
### MODÈLE F3:

Zéro et trois ne sont que des indicateurs d'échelle.

De gauche à droite, la première ligne est 3 et la dernière ligne 0.

### MODÈLE F5:

Comme ci-dessus, sauf que les indicateurs d'échelle sont 0 et 4.



## RACCORDEMENT DES TUYAUX D'HUILE

Ce brûleur est livré avec la pompe huile configurée pour travailler sur un système à **un** tuyau. Pour le travail sur un système à **deux** tuyaux, il est nécessaire de prévoir l'installation d'un bouchon de dérivation.

### ATTENTION:

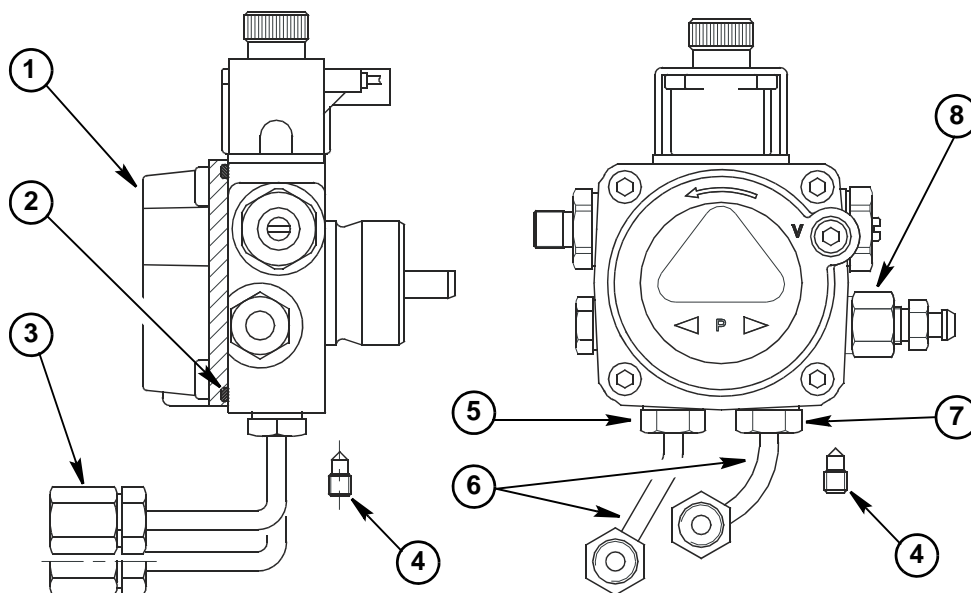
**Ne pas** actionner le système à **un** tuyau en cas d'installation de bouchon de dérivation.

En effet, le fonctionnement d'un système à **un** tuyau avec bouchon de dérivation installé peut détériorer le joint de l'arbre de la pompe.

### REMARQUE:

La pression de la pompe doit être réglée au moment du démarrage du brûleur. Un manomètre a été installé sur le **RACCORD DE PRESSION** (8) afin de permettre la lecture de la pression. Deux **RACCORDS DE TUYAUX** (6) sont livrés avec le brûleur pour le branchement à un système à un ou deux tuyaux. Deux **ADAPTATEURS** (3), deux femelles 1/4" NPT, sont également livrés avec l'appareil afin de permettre le raccordement des tuyaux d'huiles aux connecteurs de tuyaux du brûleur. Tous les filetages de raccord de pompe sont de type **filetage parallèle anglais**. Tout raccordement de filetages NPT directement sur la pompe **détériorera** le corps de pompe.

Les manomètres Riello et les vacuomètres **n'ont pas** besoin d'adaptateurs et peuvent être branchés aux raccords de la pompe en toute sécurité. Les adaptateurs NPT (métriques) **doivent** être utilisés en cas de branchement d'autres modèles de manomètre.



### UN TUYAU (SYSTÈME D'ALIMENTATION PAR GRAVITÉ)

A) Le brûleur est livré déjà configuré pour un usage dans des emplois à une tuyau. Aucun changement n'est nécessaire pour l'usage dans des applications à un tuyau.

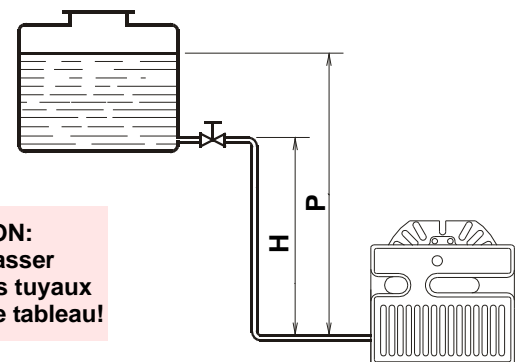
**REMARQUE:** Si le **capot de la pompe** (1) doit être enlevé pour une quelconque raison, s'assurer que le joint torique (2) est bien installé dans le capot de la pompe (1) avant de le remonter.

B) Brancher le connecteur de tuyau au **RACCORD D'ALIMENTATION** (5) de la pompe. Raccorder l'adaptateur NPT sur le connecteur de tuyau. Attacher le tuyau à l'adaptateur. S'assurer que le bouchon du **RACCORD DE RETOUR** (7) est serré à fond.

### LONGUEURS TUYAUX SYSTÈME À UN TUYAU

H		3/8" Diam. ext.		1/2" Diam. ext.	
pi	M	pi	M	pi	M
1,5	0,5	33	10	65	20
3,0	1,0	65	20	130	40
5,0	1,5	130	40	260	80
6,5	2,0	195	60	325	100

**ATTENTION:**  
ne pas dépasser  
la longueur des tuyaux  
indiquée dans le tableau!



D6009

## DEUX TUYAUX (SYSTÈME DE RELEVAGE)

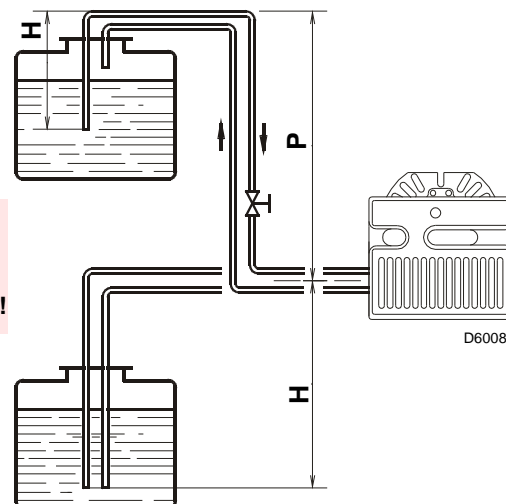
A) En cas de système à deux tuyaux requis, installer le bouchon de dérivation livré avec l'appareil. Le bouchon de dérivation est monté sur le raccord de retour de la pompe. Le bouchon de dérivation est livré avec une clé à six pans de 2,5 mm qui sert à monter le bouchon en question.

NE PAS utiliser de clé à six pans d'une autre taille: cela détériorerait le bouchon.

Sur un système à deux tuyaux, les tuyaux d'alimentation et de retour doivent être du même diamètre et **se développer sur la même longueur à l'intérieur du réservoir de combustible**. Vérifier l'absence de fuites d'air ou d'obstructions dans le circuit. La présence d'obstructions dans le tuyau de retour peut être responsable de la rupture du joint de l'arbre de la pompe.

LONGUEURS DE TUYAUX DU SYSTÈME À DEUX TUYAUX (RELEVAGE)					
H		3/8" Diam. ext.		1/2" Diam. ext.	
pi	M	pi	M	pi	M
0,0	0,0	115	35	330	100
1,5	0,5	100	30	330	100
3,0	1,0	80	25	330	100
5,0	1,5	65	20	295	90
6,5	2,0	50	15	230	70
9,5	3,0	25	8	100	30
11	3,5	20	6	65	20

**ATTENTION:**  
ne pas dépasser  
la longueur des tuyaux  
indiquée dans le tableau!



Pour installer le bouchon de dérivation :

- Démonter le bouchon de retour (7).
- Monter le bouchon de dérivation (4) à l'aide de la clé à six pans de 2,5 mm.
- Attacher les CONNECTEURS DE TUYAU (6) aux RACCORDS DE RETOUR ET D'ALIMENTATION de la pompe (5 et 7). Raccorder les tuyaux concernés à ces deux connecteurs de tuyau en utilisant les ADAPTATEURS MÉTRIQUES/NPT, livrés avec l'appareil.

### ATTENTION:

- NE PAS utiliser de lubrifiant de tuyaux ou de rubans en téflon directement sur les raccords d'huile de la pompe à combustible.
- La hauteur «P» indiquée dans les tableaux des longueurs de tuyau ne doit pas dépasser les 13 pieds (4 m).
- Le vide ne doit pas dépasser les 11,44 pouces de mercure.

### IMPORTANT:

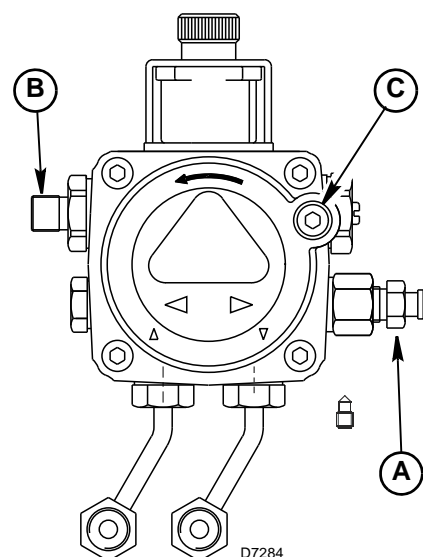
Un filtre à huile certifié, externe et approprié doit être monté sur le circuit de combustible, entre le réservoir de combustible et la pompe du brûleur.

## PURGE DE LA POMPE

**REMARQUE:** Afin de protéger les engrenages de la pompe, il est recommandé de lubrifier la pompe avant de purger le système de relevage. Huiler le RACCORD DE VIDE (C).

### A) UN TUYAU (SYSTÈME D'ALIMENTATION PAR GRAVITÉ)

- Desserrer le purgeur (A) jusqu'à ce que l'huile ressorte. Serrer le purgeur à fond et démarrer le brûleur.
- En purgeant la pompe par pression:
  - Desserrer le purgeur (A).
  - Débrancher le tuyau d'alimentation d'huile du gicleur sur le raccord du gicleur de la pompe (B).
  - Raccorder un tube flexible en plastique au gicleur de la pompe et recueillir le flux d'huile dans un seau.
  - Desserrer la ou les vis solidarissant le capot du tube d'air, lui permettant ainsi de bouger librement.
  - En tenant le capot du tube d'air à sa place, démarrer le brûleur.



- 6) Une fois l'électrovanne mise en marche 10 secondes environ avant le démarrage, enlever le capot du tube d'air et allumer une source de lumière sur la cellule photo, créant ainsi un détrompeur.
- 7) Faire marcher le brûleur jusqu'à ce que la pompe de combustible ait été purgée, puis serrer le purgeur et éteindre aussitôt le brûleur.
- 8) Réinstaller le capot du tube d'air et le tuyau du gicleur.
- 9) Le brûleur peut maintenant être démarré normalement.

**ATTENTION:** En cas d'omission des étapes 2 et 3, l'appareil produit de l'huile non brûlée dans la chambre de combustion, générant une situation dangereuse après le démarrage du brûleur.

## B) DEUX TUYAUX (SYSTÈME DE RELEVAGE)

Éteindre la source de puissance principale du brûleur et démonter le capot du tube d'air.

Allumer une source de lumière sur la cellule photo (maintenant visible à l'endroit où le capot du tube d'air a été démonté), remettre le brûleur sous tension et l'allumer. Une fois la source de lumière à sa place, le brûleur travaillera uniquement en pré-purge. Quand la pompe est suffisamment purgée, le clapet de ventilation hydraulique s'ouvrira.

Après avoir purgé le brûleur, éteindre la source de puissance principale du brûleur et remonter le capot du tube d'air. Remettre le brûleur sous tension. Le brûleur est maintenant prêt à fonctionner.

### ATTENTION:

Il est essentiel que le tuyau de combustible soit complètement étanche et dépourvu de fuites d'air ou d'obstructions.

**ATTENTION! EN CAS DE BOUCHON DE DÉRIVATION INSTALLÉ, IL EST NÉCESSAIRE D'UTILISER UN SYSTÈME À DEUX TUYAUX POUR ÉVITER LA RUPTURE DE L'ARBRE DE LA POMPE.**

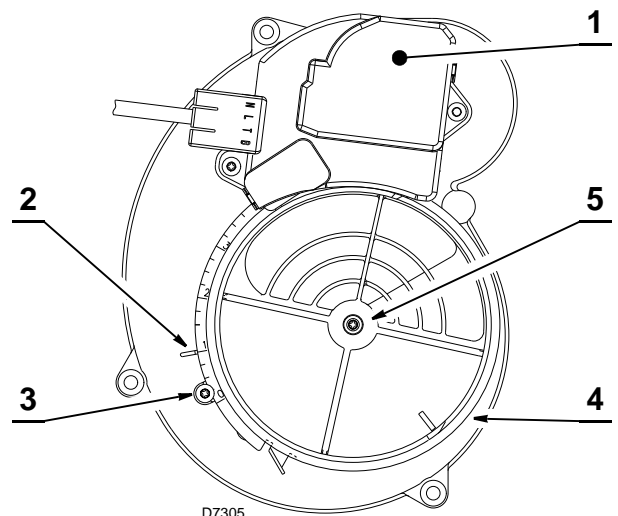
## RÉGLAGE DE LA PLAQUE DE RÉGLAGE D'AIR

Le groupe volet d'air électronique (1) fonctionne avec un moteur de 120 V 60Hz et le moteur du brûleur ne fonctionnera pas tant que le volet d'air ne sera pas complètement ouvert.

Régler la plaque de réglage de l'air (4), en respectant les instructions de réglage FEO ou en suivant les réglages de mise à niveau reportés dans ce manuel. Pour régler la plaque de réglage de l'air (4) sur l'indicateur de point de consigne voulu (2), desserrer la vis du groupe de volet d'air central (5) et desserrer la vis de plaque de réglage de l'air latérale (3), déplacer la plaque de réglage de l'air (4) en utilisant le bras de réglage de la plaque de réglage de l'air. Une fois les réglages effectués, resserrer les vis (3) et (5).

La position finale de la plaque de réglage de l'air peut varier en fonction du type d'installation. Pour obtenir des résultats sécurisés et efficaces conformément aux instructions de l'appareil ou en cas d'indisponibilité de ces dernières, utiliser des instruments d'essai appropriés afin de déterminer le réglage adéquat du volet d'air.

**REMARQUE:** Une fois le capot remis à sa place, il peut arriver que des variations au niveau des gaz de cheminée, fumées et CO<sub>2</sub> et températures lues soient enregistrées. Par conséquent, lorsque le couvercle du brûleur **doit** être remis à sa place au moment de faire les derniers relevés des valeurs de combustion à l'aide des instruments d'essai, le but étant de s'assurer que les valeurs lues sont correctes.



## TABLEAU DE RÉGLAGE DU BRÛLEUR

### APPLICATIONS NON DE MISE À NIVEAU

Si ce brûleur doit être installé avec un autre appareil avec lequel il est livré (comme une chaudière ou un four), il faudra suivre la notice livrée avec l'unité chauffante dans la mesure où les instructions peuvent différer de celles reportées dans ce manuel.

BRÛLEUR MODÈLE F3					
Taux d'allumage réel 5% ±	Dimensions Grandeur	Pression de la pompe		Réglage du turbulateur	Réglage du volet d'air
		US GPH	GPH		
0,50	,40 x 60°/80°	160	11,0	0,0	2,3
0,60	,50 x 60°/80°	150	10,4	0,5	2,7
0,75	,60 x 60°/80°	150	10,4	1,5	3,4
0,80	,65 x 60°/80°	150	10,4	2,0	3,6
0,95	,75 x 60°/80°	160	11,0	3,0	4,3

BRÛLEUR MODÈLE F5					
0,75	,60 x 60/ 80°	145	10	0,0	2,25
0,85	,65 x 60/ 80°	145	10	0,5	2,5
1,00	,85 x 60/ 80°	145	10	1,0	2,75
1,10	1,00 X 60/ 80°	145	10	2,0	3,0
1,25	1,10 x 60/ 80°	145	10	2,5	3,5
1,50	1,25 x 60/ 80°	145	10	3,0	4,25
1,65	1,35 X 60/ 80°	145	10	4,0	6,0

### REMARQUE:

Les tableaux de réglage ci-dessus sont fournis à titre indicatif uniquement.

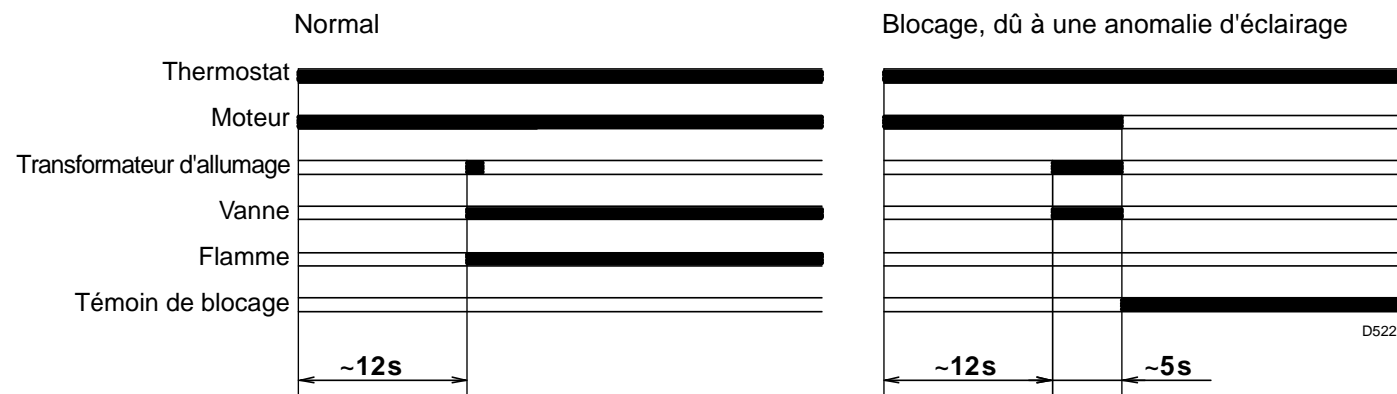
Le brûleur et l'appareil de chauffage doivent être réglés de façon appropriée, en s'aidant des équipements d'essai de combustion adéquats.

Il est possible d'utiliser toute sorte de gicleur de brûleur à huile, d'angle et de fabricant approuvée, tant que l'évaluation d'entrée de l'appareil correspond à l'entrée correcte en BTU/hr ou US gph.

### CHAMBRE DE COMBUSTION

Respecter les instructions fournies par le fabricant de la chaudière/four. Adapter l'application de mise à niveau conformément aux codes d'installation appropriés (ex.: CSA B139 ou NFPA 31).

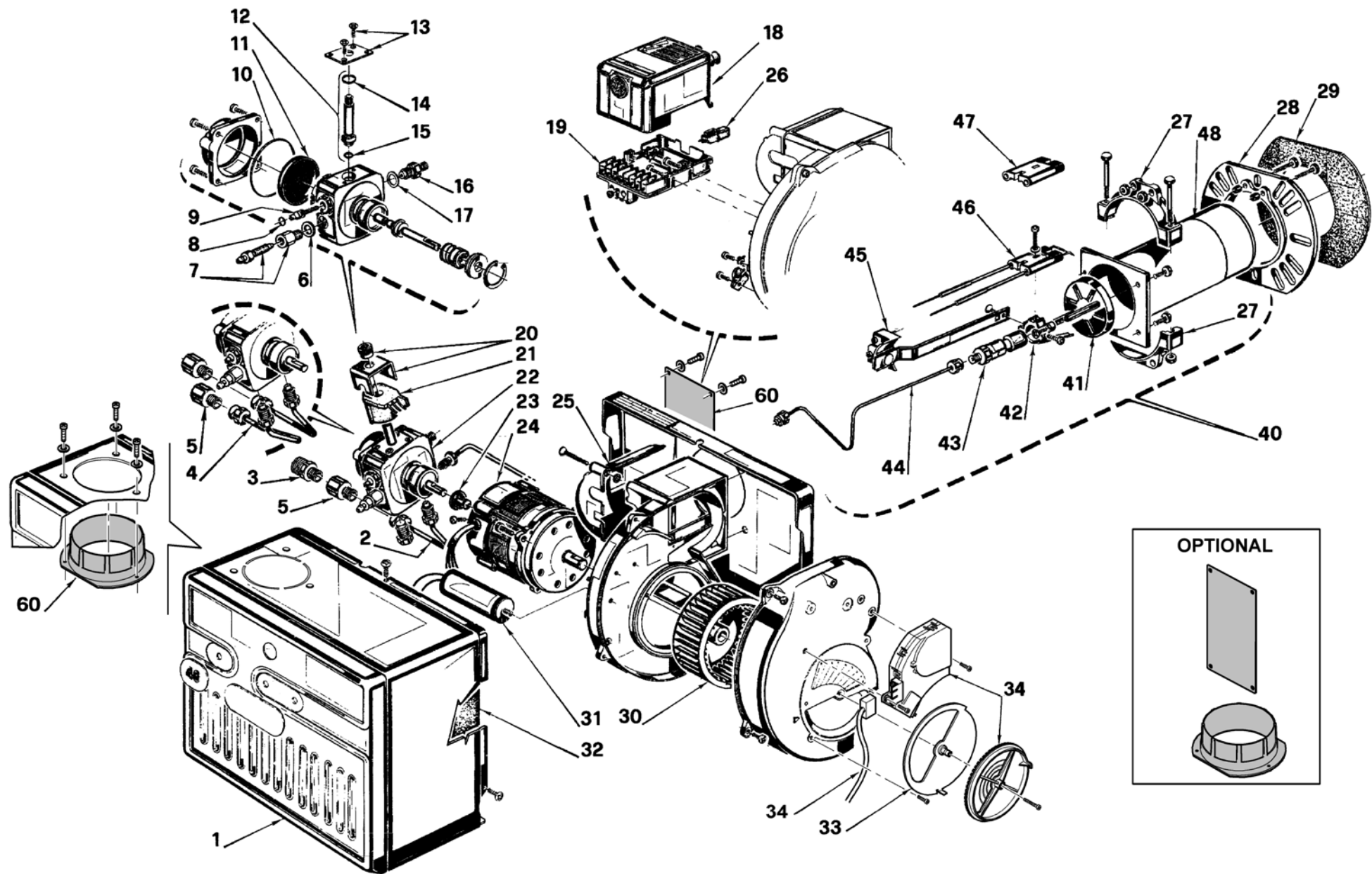
### CYCLE DE DÉMARRAGE DU BRÛLEUR



D5229



## CATALOGUE ÉCLATÉ DE PIÈCES DÉTACHÉES



## CATALOGUE DE PIÈCES DÉTACHÉES

N°	CODE	F3	F5	DESCRIPTION	N°	CODE	F3	F5	DESCRIPTION
1	3020507	•		CAPOT ARRIÈRE BRÛLEUR					<b>OPTION</b>
1	3020508		•	CAPOT ARRIÈRE BRÛLEUR	60	3002761	•	•	KIT D'ARRIVÉE D'AIR COMBURANT CONDUIT
2	3006992	•	•	CONNECTEUR DE TUYAU - ALIMENTATION	61	C7001033	•	•	AMULETTE - KIT DE MANCHON CERAFELT
3	3006571	•	•	ADAPTATEUR 3/8" NPT/MÉTRIQUE - MÂLE					
4	3006993	•	•	CONNECTEUR DE TUYAU - RETOUR					
5	3005847	•	•	ADAPTATEUR 1/4" NPT/MÉTRIQUE - FEMELLE		C7001009	•	•	BOUCHON D'ORIFICE CAPILLAIRE
6	3007077	•	•	RONDELLE EN MÉTAL DÉFORMABLE		3000932	•	•	BRIDE EN ACIER RÉGLABLE
7	3007568	•	•	PURGEUR					
8	3007028	•	•	JOINT TORIQUE - RÉGULATEUR DE PRESSION DE LA POMPE					
9	3007202	•	•	VIS DE RÉGLAGE					
10	3007162	C7010002	•	JOINT TORIQUE - CAPOT DE POMPE					
11	3005719	•	•	ÉCRAN DE POMPE					
12	3006925	•	•	TIGE DE VANNE					
13	3007203	•	•	PLAQUE TIGE DE VANNE					
14	3007029	•	•	JOINT TORIQUE - TIGE DE SOUPAPE SUPÉRIEURE					
15	3007156	•	•	JOINT TORIQUE - TIGE DE SOUPAPE INFÉRIEURE					
16	3007268	•	•	RACCORD DE SORTIE GICLEUR					
17	3007087	•	•	RONDELLE MÉTALLIQUE DÉFORMABLE 5/8" ID					
18	3001157	C7001029	•	COMMANDE PRIMAIRE 530 SE/C					
19	3002278	•	•	SOUS-BASE DE COMMANDE PRIMAIRE					
20	3006553	•	•	BRIDE EN U BOBINE ET ÉCROU DE SERRAGE					
21	3002279	•	•	BOBINE					
22	3007802	C7001010	•	POMPE					
23	3000443	•	•	CLAVETTE DE COMMANDE POMPE					
24	3005843	•	•	MOTEUR					
25	3007315	•		CAPOT TUBE D'AIR					
25	3007316		•	CAPOT TUBE D'AIR					
26	3002280	•	•	CELLULE PHOTO-ÉLECTRIQUE					
27	3005854	•	•	DEMI-BRIDE (2 REQUIS)					
28	3005855	•	•	BRIDE DE MONTAGE UNIVERSELLE					
29	3020248	C6880000	•	JOINT DE MONTAGE					
30	3005708	•	•	VENTILATEUR					
31	20087023	•	•	CONDENSATEUR					
32	3002864	C6950050	•	REVÊTEMENT ACOUSTIQUE					
32	3007320		•	REVÊTEMENT ACOUSTIQUE					
33	3007204	•	•	VOLET D'AIR MANUEL					
34		C7001081	•	F3 KIT AMORTISSEUR À AIR DE REMPLACEMENT					
34		C7001082	•	F5 KIT AMORTISSEUR À AIR DE REMPLACEMENT					



## CATALOGUE DE PIÈCES DÉTACHÉES

N°	CODE	F3	F5	DESCRIPTION	N°	CODE	F3	F5	DESCRIPTION
40	3948876	•		TÊTE DE COMBUSTION VSBT 3"	40	3948877	•		TÊTE DE COMBUSTION 8 7/8"
40	3948976		•	TÊTE DE COMBUSTION VSBT 3"	40	3948975		•	TÊTE DE COMBUSTION 8 7/8"
41	3006968	•		DISQUE TURBULATEUR	41	3006968	•		DISQUE TURBULATEUR
41	3006977		•	DISQUE TURBULATEUR	41	3006977		•	DISQUE TURBULATEUR
42	3006966	•	•	SUPPORT D'ÉLECTRODE	42	3006966	•	•	SUPPORT D'ÉLECTRODE
43	3006965	•	•	ADAPTATEUR DE GICLEUR	43	3006965	•	•	ADAPTATEUR DE GICLEUR
44	3008627	•		TUYAU D'HUILE GICLEUR	44	3008790	•		TUYAU D'HUILE GICLEUR
44	3008629		•	TUYAU D'HUILE GICLEUR	44	3008628		•	TUYAU D'HUILE GICLEUR
45	3008633	•		GROUPE RÉGULATEUR	45	3008846	•		GROUPE RÉGULATEUR
45	3008634		•	GROUPE RÉGULATEUR	45	3008635		•	GROUPE RÉGULATEUR
46	3008630	•		GROUPE ÉLECTRODE	46	3008789	•		GROUPE ÉLECTRODE
46	3008631		•	GROUPE ÉLECTRODE	46	3008632		•	GROUPE ÉLECTRODE
47	3005869	•	•	PORCELAINE D'ÉLECTRODE	47	3005869	•	•	PORCELAINE D'ÉLECTRODE
48	3008623	•		TUYAU D'AIR	48	3008788	•		TUYAU D'AIR
48	3008626		•	TUYAU D'AIR	48	3008625		•	TUYAU D'AIR
40	3948873	•		TÊTE DE COMBUSTION SBT 6" (271T)	40	3948874	•		TÊTE DE COMBUSTION LBT 10" (271T2)
40	3948973		•	TÊTE DE COMBUSTION SBT 6" (271T)	40	3948974		•	TÊTE DE COMBUSTION LBT 10" (271T2)
41	3006968	•		DISQUE TURBULATEUR	41	3006968	•		DISQUE TURBULATEUR
41	3006977		•	DISQUE TURBULATEUR	41	3006977		•	DISQUE TURBULATEUR
42	3006966	•	•	SUPPORT D'ÉLECTRODE	42	3006966	•	•	SUPPORT D'ÉLECTRODE
43	3006965	•	•	ADAPTATEUR DE GICLEUR	43	3006965	•	•	ADAPTATEUR DE GICLEUR
44	3006969	•		TUYAU D'HUILE GICLEUR	44	3006970	•		TUYAU D'HUILE GICLEUR
44	3006973		•	TUYAU D'HUILE GICLEUR	44	3006974		•	TUYAU D'HUILE GICLEUR
45	3006324	•		GROUPE RÉGULATEUR	45	3005867	•		GROUPE RÉGULATEUR
45	3006323		•	GROUPE RÉGULATEUR	45	3005878		•	GROUPE RÉGULATEUR
46	3006330	•		GROUPE ÉLECTRODE	46	3005870	•		GROUPE ÉLECTRODE
46	3006329		•	GROUPE ÉLECTRODE	46	3005880		•	GROUPE ÉLECTRODE
47	3005869	•	•	PORCELAINE D'ÉLECTRODE	47	3005869	•	•	PORCELAINE D'ÉLECTRODE
48	3007592	•		TUYAU D'AIR	48	3007593	•		TUYAU D'AIR
48	3007594		•	TUYAU D'AIR	48	3007595		•	TUYAU D'AIR
									TUBE À SOUFFLAGE LONG = LBT

## RAPPORT DE DÉMARRAGE DU BRÛLEUR

Numéro de modèle: _____	Numéro de série: _____
Nom du projet: _____	Date de démarrage: _____
Installateur: _____	Numéro de téléphone: _____

<b>FONCTIONNEMENT AU FIOUL</b>			
Pression d'alimentation du fioul: _____	CO <sub>2</sub> : Débit réduit _____	Haut débit _____	
Pression d'aspiration du fioul: _____	O <sub>2</sub> : Débit réduit _____	Haut débit _____	
Alimentation du contrôle: _____	CO: Débit réduit _____	Haut débit _____	
Plage de puissance du brûleur: _____	NO <sub>x</sub> : Débit réduit _____	Haut débit _____	
Signal de flamme à débit réduit: _____	Temp. nette de la cheminée - Débit réduit: _____	Haut débit _____	
Signal de flamme à haut débit: _____	Comb. Rendement - débit réduit: _____	Haut débit _____	
Taille du gicleur à débit réduit: _____	Tirage au-dessus du feu: _____		
Taille du gicleur à haut débit: _____	Indice de fumée: _____		

<b>PARAMÈTRES DE CONTRÔLE</b>			
Point de consigne de fonctionnement: _____	Faible pression de fioul: _____		
Point de consigne de la limite supérieure: _____	Haute pression de fioul: _____		
Faible pression gaz: _____	Numéro de modèle de la surveillance de flamme: _____		
Haute pression gaz: _____	Type de signal modulant: _____		

<b>REMARQUES</b>
<hr style="border: 0; border-top: 1px solid black; margin-bottom: 5px;"/> <hr style="border: 0; border-top: 1px solid black; margin-bottom: 5px;"/> <hr style="border: 0; border-top: 1px solid black; margin-bottom: 5px;"/>





---

# RIELLO

RIELLO S.p.A.  
I-37045 Legnago (VR)  
Tel.: +39.0442.630111  
[http:// www.riello.com](http://www.riello.com)

---

# RIELLO

35 Pond Park Road  
Hingham, Massachusetts,  
U.S.A. 02043

RIELLO BURNERS NORTH AMERICA  
<http://www.riello.ca>

1-800-4-RIELLO

2165 Meadowpine Blvd  
Mississauga, Ontario  
Canada L5N 6H6