

# Williamson

# GSA

**Factory -Packaged** (GSA-075 – GSA-250)

**75,000 to 299,000 Btuh Input**

**Atmospheric (chimney) venting**

**Natural Gas**



## Gas-Fired Steam Boiler

- Spark (intermittent) pilot system
- Easy service
  - One-piece access door
  - All controls in easy reach
- High efficiency
  - Generous heating surface
  - Automatic vent damper
- Cast iron sections
- Rugged construction for long life
  - Stainless steel burners
  - Integral cast iron legs
  - Integral draft diverted
  - Insulated heavy-gauge steel jacket
  - Heavy-gauge aluminized steel flue collector
- 10-Year warranty on boiler sections



## Williamson

# RATINGS

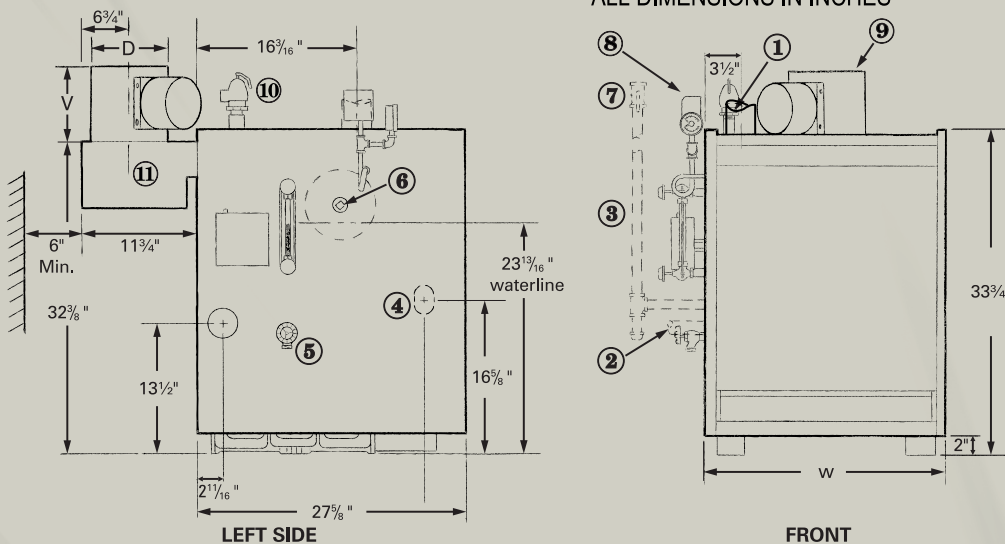
Model	Input (Btuh)	AHRI Certified Ratings				Boiler water content (gallons)	Chimney and breeching size	Boiler Shipping Weight (Pounds)
		Heating Capacity (Btuh) (1)	Net Ratings (Btuh) (2)		AFUE % (1)			
			Sq. Ft. steam	Steam BTUH				
GSA-075	75,000	62,000	196	47,000	83.0	8.4	5" I.D. x 20'	430
GSA-100	100,000	83,000	258	62,000	82.9	8.4	5" I.D. x 20'	430
GSA-125	125,000	104,000	325	78,000	82.9	9.8	6" I.D. x 20'	505
GSA-150	150,000	125,000	392	94,000	82.9	9.8	6" I.D. x 20'	505
GSA-175	175,000	145,000	454	109,000	82.8	11.2	7" I.D. x 20'	585
GSA-200	200,000	167,000	521	125,000	82.8	11.2	7" I.D. x 20'	585
GSA-250	250,000	209,000	654	157,000	83.0	12.6	8" I.D. x 20'	660
GSA-300	299,000	247,000	770	185,000	82.4	14.0	8" I.D. x 20'	735

1. Based on standard test procedures prescribed by the United States Department of Energy.
2. Net AHRI ratings are based on net installed radiation of sufficient quantity for the requirements of the building and nothing need be added for normal piping and pickup. Ratings are based on a piping and pickup allowance of 1.333. An additional allowance should be made for unusual piping and pickup loads.

- Contact your local dealer regarding information and parts for high altitude applications.
- Boiler model order code suffix: N-I (natural gas, intermittent pilot), P (probe LWCO)

# DIMENSIONS

ALL DIMENSIONS IN INCHES



Boiler Model	V Damper Height	D Vent Diameter	W Jacket Width
GSA-075	6	5	17
GSA-100	6	5	17
GSA-125	6 1/2	6	21 1/4
GSA-150	6 1/2	6	21 1/4
GSA-175	9	7	25 1/2
GSA-200	9	7	25 1/2
GSA-250	9 1/2	8	29 3/4
GSA-300	9 1/2	8	34

- |   |                                  |
|---|----------------------------------|
| ① Supply piping 3" NPT Tapping (Note 1)     | ⑦ Manual main shutoff valve      |
| ② Return piping 2 1/2" NPT Tapping (Note 1) | ⑧ Pressure limit control         |
| ③ Gas supply piping                         | ⑨ Vent connection to vent damper |
| ④ Gas supply entrance (right or left side)  | ⑩ Relief valve                   |
| ⑤ Drain valve                               | ⑪ Draft diverted                 |
| ⑥ Skim tapping                              |                                  |

Note 1: See boiler manual for recommended system supply and return piping sizes.

If field-installing a float-type low water cutoff, it must be connected only using the gauge glass tapings. No other location is acceptable.

## EQUIPMENT

- Factory tested
- Insulated heavy-gauge steel jacket
- Factory-assembled cast iron sections, boiler fully assembled (except GSA-300)
- Integral horizontal draft diverted
- 24-VAC combination gas valve
- Gauge glass and guard assembly
- Pressure gauge and siphon assembly
- Stainless steel burners
- Pressure limit control
- Probe low water cutoff
- High temperature limit control
- Automatic vent damper
- 15 PSIG ASME relief valve
- Drain valve
- Spark-ignited (intermittent) pilot system
- Electronic ignition/flame supervisory control



In the interest of continual improvement in product and performance, Williamson reserves the right to change specifications without notice.

## WARRANTY

- Ten-year lifetime warranty on boiler sections
- 1-year limited warranty on parts
- Optional 5 - or 10-year parts and labor warranty



8201 West Calumet Road • Milwaukee, WI 53223

[www.williamson-thermoflo.com](http://www.williamson-thermoflo.com)

Form No. W-504 (1012)