

# OSB/T

## Oil-fired Steam Boilers

- Factory tested
- Easy service
  - Swing-away burner door
  - Low draft loss
  - Top access cleanout cover
  - Plug-in wiring harness
- High efficiency oil burner
  - Flame retention head design
  - Solenoid valve
  - PSC motor
  - Solid state ignitor
- Rear flue outlet
- Cast iron sections with built-in air separator
- Insulated heavy-gauge steel jacket
- Limited lifetime warranty

- Factory-packaged
- 1.00 to 2.00 GPH Input
- Optional tankless heater



**Williamson**  
A United Dominion Company

# RATINGS



| Boiler model number | I=B=R burner capacity | DOE heating capacity | Net I=B=R steam ratings |       | DOE seasonal efficiency | Flue outlet size | Minimum I=B=R Chimney (x 15' high) |       | Boiler water content         | Draft loss through boiler |
|---------------------|-----------------------|----------------------|-------------------------|-------|-------------------------|------------------|------------------------------------|-------|------------------------------|---------------------------|
|                     | GPH ①                 | MBH ②                | Sq. Ft. ③               | MBH ③ | % AFUE                  | (Round)          | Rectangle                          | Round | (Gallons @ normal waterline) | Inches W.C.               |
| <b>OSB-3-100</b>    | 1.00                  | 116                  | 363                     | 87    | 82.1                    | 7"               | 8" x 8"                            | 6"    | 10.7                         | .000                      |
| <b>OSB-4-110</b>    | 1.10                  | 129                  | 404                     | 97    | 82.0                    | 7"               | 8" x 8"                            | 6"    | 12.5                         | .010                      |
| <b>OSB-4-125</b>    | 1.25                  | 145                  | 454                     | 109   | 81.7                    | 7"               | 8" x 8"                            | 6"    | 12.5                         | .010                      |
| <b>OSB-5-135</b>    | 1.35                  | 158                  | 492                     | 119   | 81.5                    | 7"               | 8" x 8"                            | 7"    | 14.2                         | .010                      |
| <b>OSB-5-150</b>    | 1.50                  | 175                  | 546                     | 131   | 81.4                    | 7"               | 8" x 8"                            | 7"    | 14.2                         | .010                      |
| <b>OSB-6-175</b>    | 1.75                  | 204                  | 638                     | 153   | 81.1                    | 7"               | 8" x 8"                            | 7"    | 16.0                         | .000                      |
| <b>OSB-6-200</b>    | 2.00                  | 232                  | 725                     | 174   | 81.4                    | 7"               | 8" x 8"                            | 7"    | 16.0                         | .015                      |



① Based on 140,000 Btuh per gallon, #2 fuel oil.  
 ② Based on standard test procedures prescribed by the United States Department of Energy, with combustion conditions of 13% CO<sub>2</sub> and -0.02" W.C. draft.

③ Net I=B=R ratings are based on net installed radiation of sufficient quantity for the requirements of the building and nothing need be added for normal piping and pickup. Ratings are based on a piping and pickup allowance of 1.333. Additional allowance should be made for unusual piping and pickup loads.

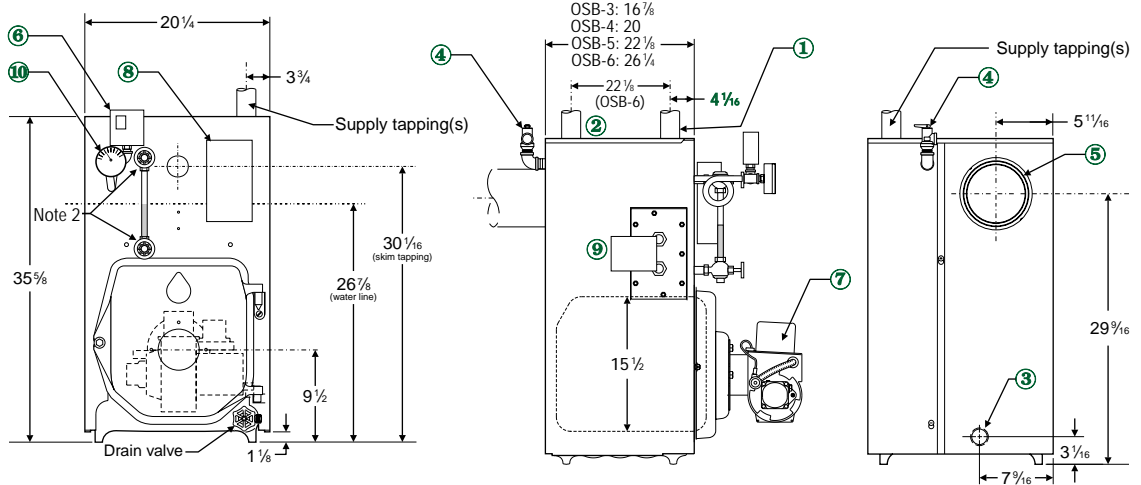
DOE

# DIMENSIONS

ALL DIMENSIONS IN INCHES

| Boiler model | Optional tankless heater ⑨ | I=W=H Intermittent draw rating (40F to 140F) |
|--------------|----------------------------|--|
| OST-3        | 35-S-29                    | 3.25 GPM                                     |
| OST-4        |                            | 3.50 GPM                                     |
| OST-5        |                            | 3.75 GPM                                     |
| OST-6        |                            | 4.00 GPM                                     |

Tankless heater tappings are 3/4" NPT, with 3/4" NPT tapping for tankless temperature control.

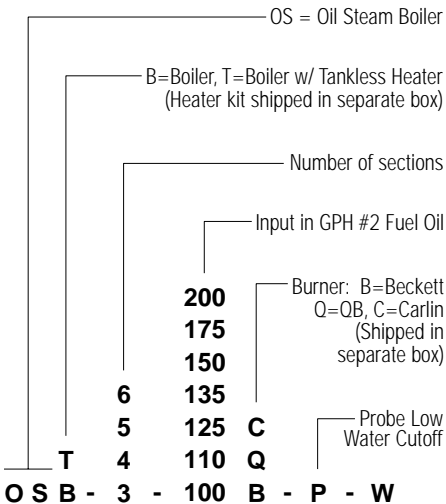


- ① Supply piping one (note 1)
- ② Supply piping two, OSB-6 only (note 1)
- ③ Return piping (note 1)
- ④ Relief valve, 3/4" NPT
- ⑤ Vent connection — 7" diameter
- ⑥ Pressure limit control
- ⑦ Oil burner (shipped in separate carton)
- ⑧ Probe-type low water cutoff
- ⑨ Tankless coil & temp. control (when used)
- ⑩ Pressure gauge

Note 1: Boiler supply tappings are 2 1/2" NPT. Return tapping is 1 1/2" NPT on all boiler sizes. Install one 2 1/2" supply riser for models OSB-3, OSB-4 and OSB-5; two 2 1/2" supply risers for size OSB-6.

Note 2: If field-installing a float low water cutoff, it must be installed in the gauge glass tappings. No other tappings are usable for float low water cutoffs.

# ORDER CODE



# EQUIPMENT

- Factory-tested
- Factory-assembled cast iron section assembly, including aluminized steel flue collector, swing-away burner mounting door, refractory blanket and recessed target wall in combustion chamber
- Flame-retention oil burner (Beckett AFG, Weil-McLain QB, or Carlin EZ)
- High limit pressure control
- Probe low water cutoff
- Pressure gauge
- Siphon
- Gauge glass, gauge cocks and guards
- 15 PSIG ASME relief valve
- Drain valve
- Barometric damper

## OPTIONAL

- Two-stage oil burner fuel unit
- Tankless heater, shipped in separate carton

# WARRANTY

- Ten-year limited warranty on cast iron sections
- 3-year limited warranty on parts
- Optional 5- or 10-year parts and labor warranty



**Williamson**

A United Dominion Company

8155 N. 76th St. • Milwaukee, WI 53223

Form W-007(05/00)